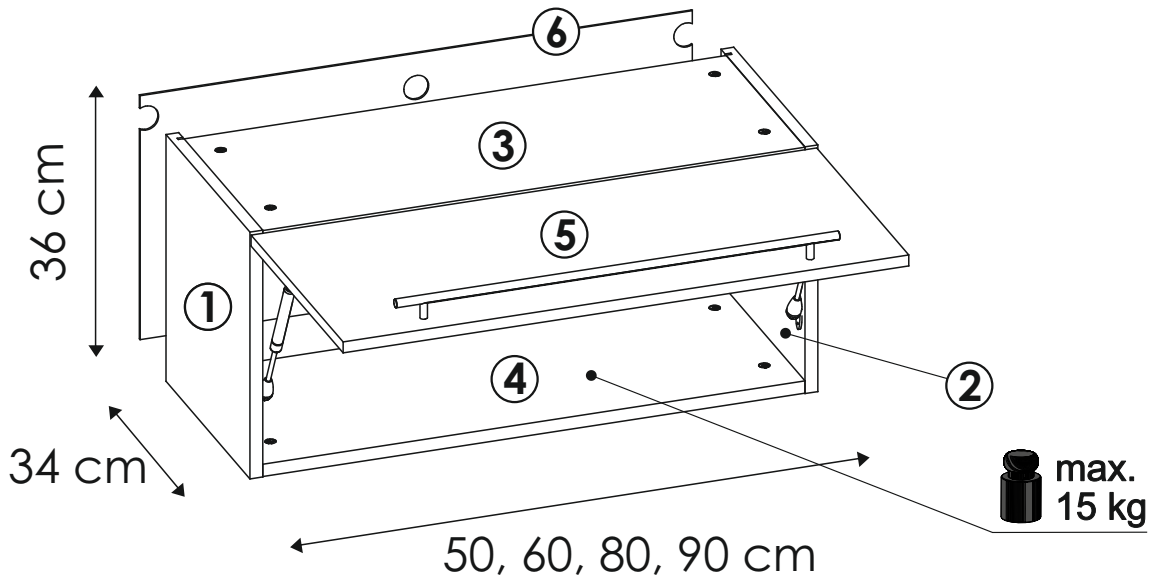
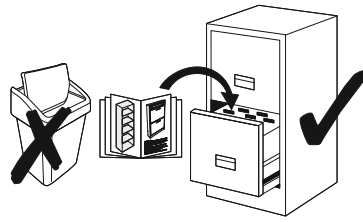


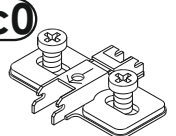
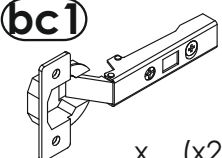
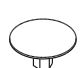


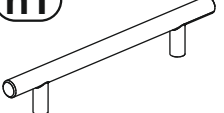


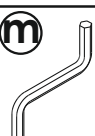


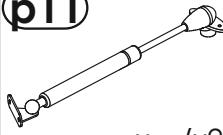
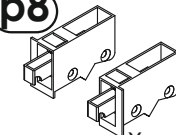


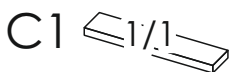
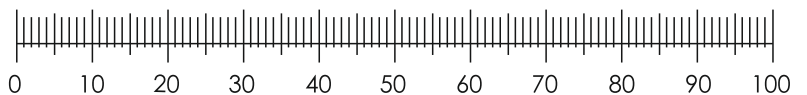


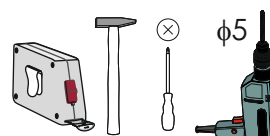
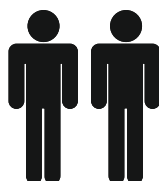
W4BU 50, 60, 80, 90



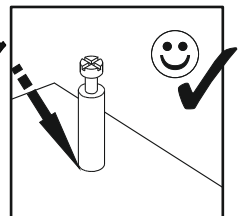
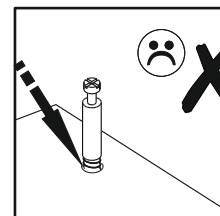
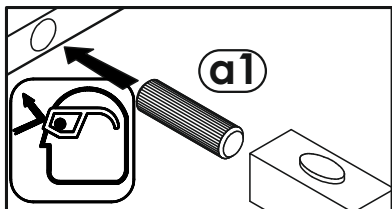
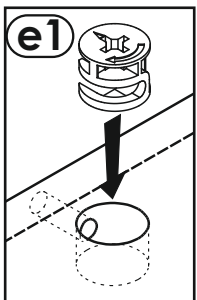
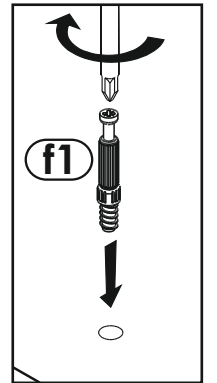
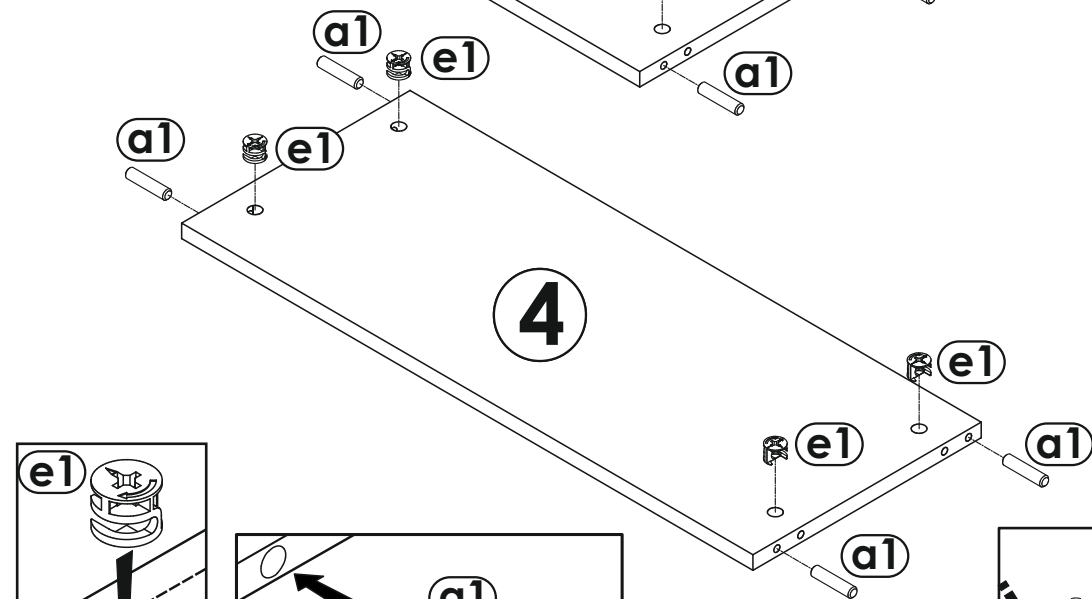
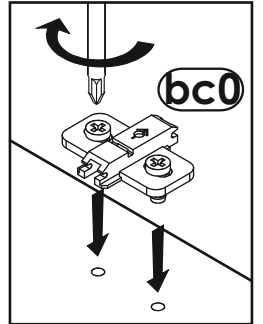
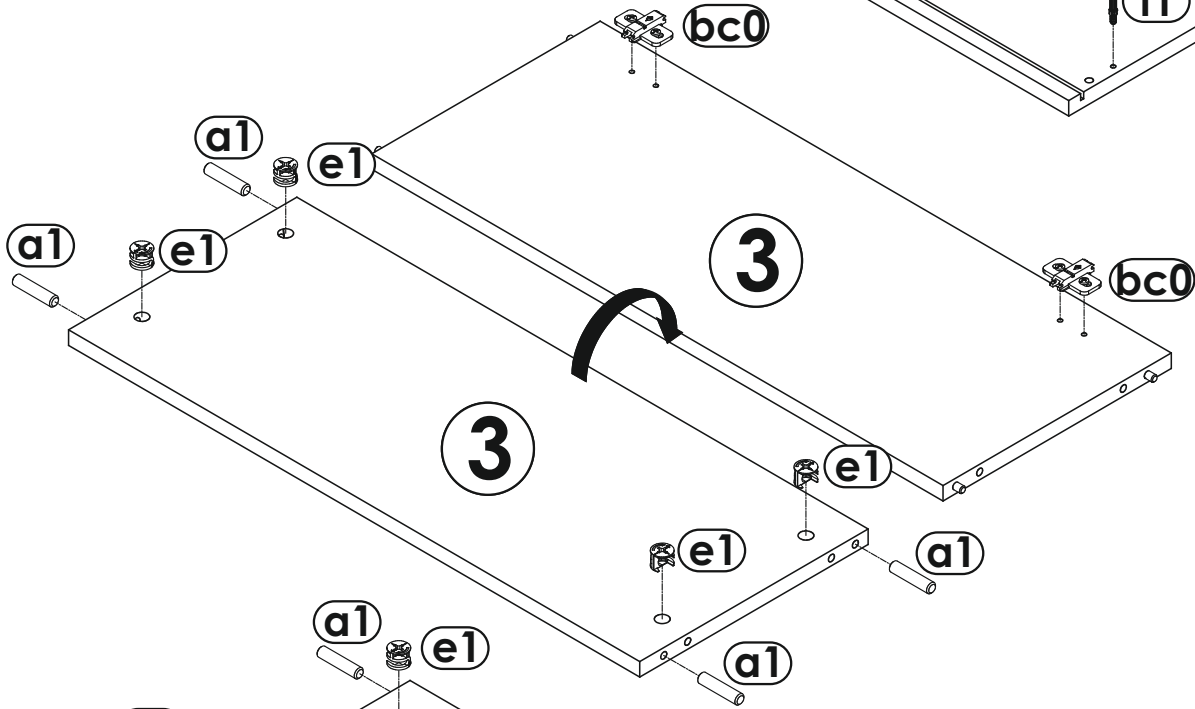
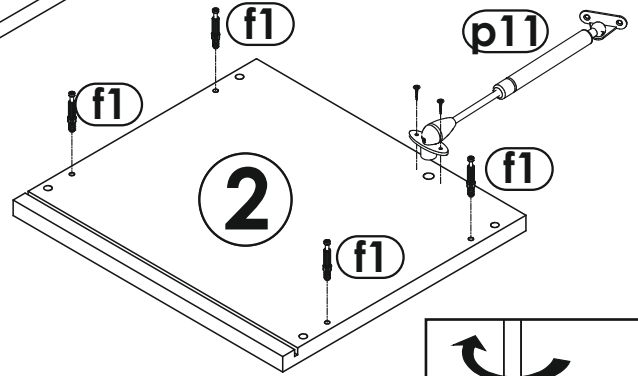
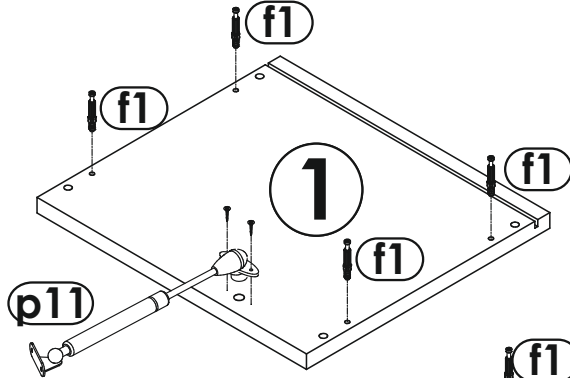
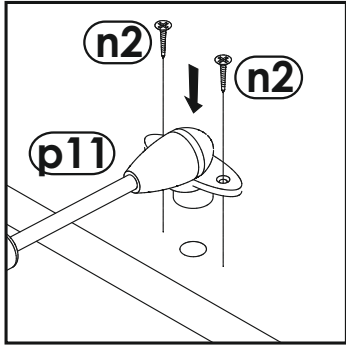
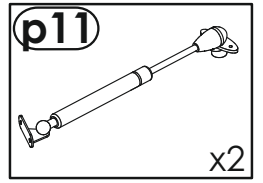
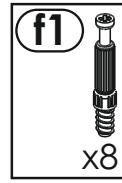
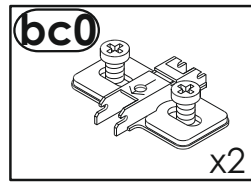
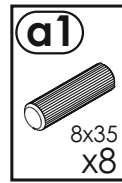
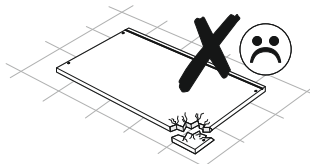
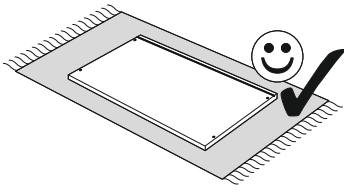
a1  8x35 X....(x8)	c1  Euro 4x13 X....(x4)	bc0  X....(x2)	bc1  X....(x2)	e0  X....(x8)	e1  X....(x8)	f1  X....(x8)	h1  X....(x1)	
i5  3.5x30 X....(x4)	k3  4x22 X....(x2)	m  X....(x1)	n1  3x16 X....(x10)	n2  3.5x16 X....(x8)	p11  X....(x2)	p8  X....(x1)	r4  X....(x4)	w16  X....(x1)

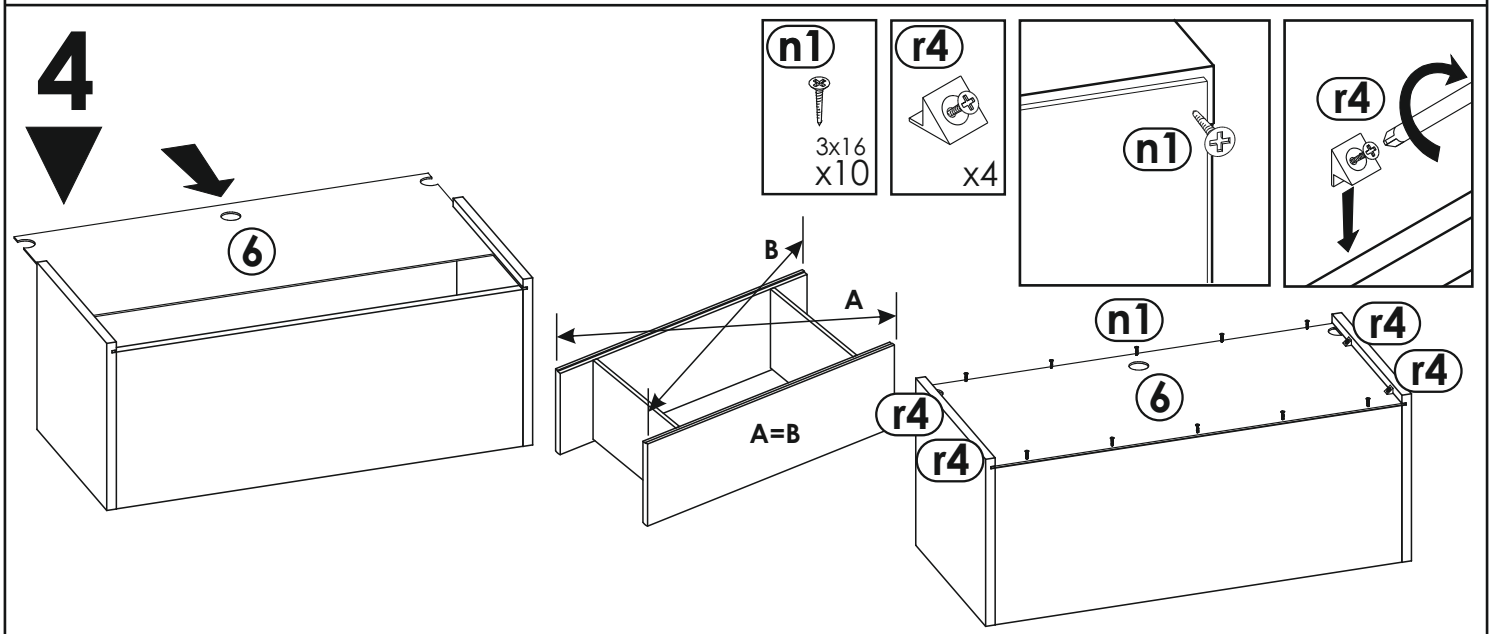
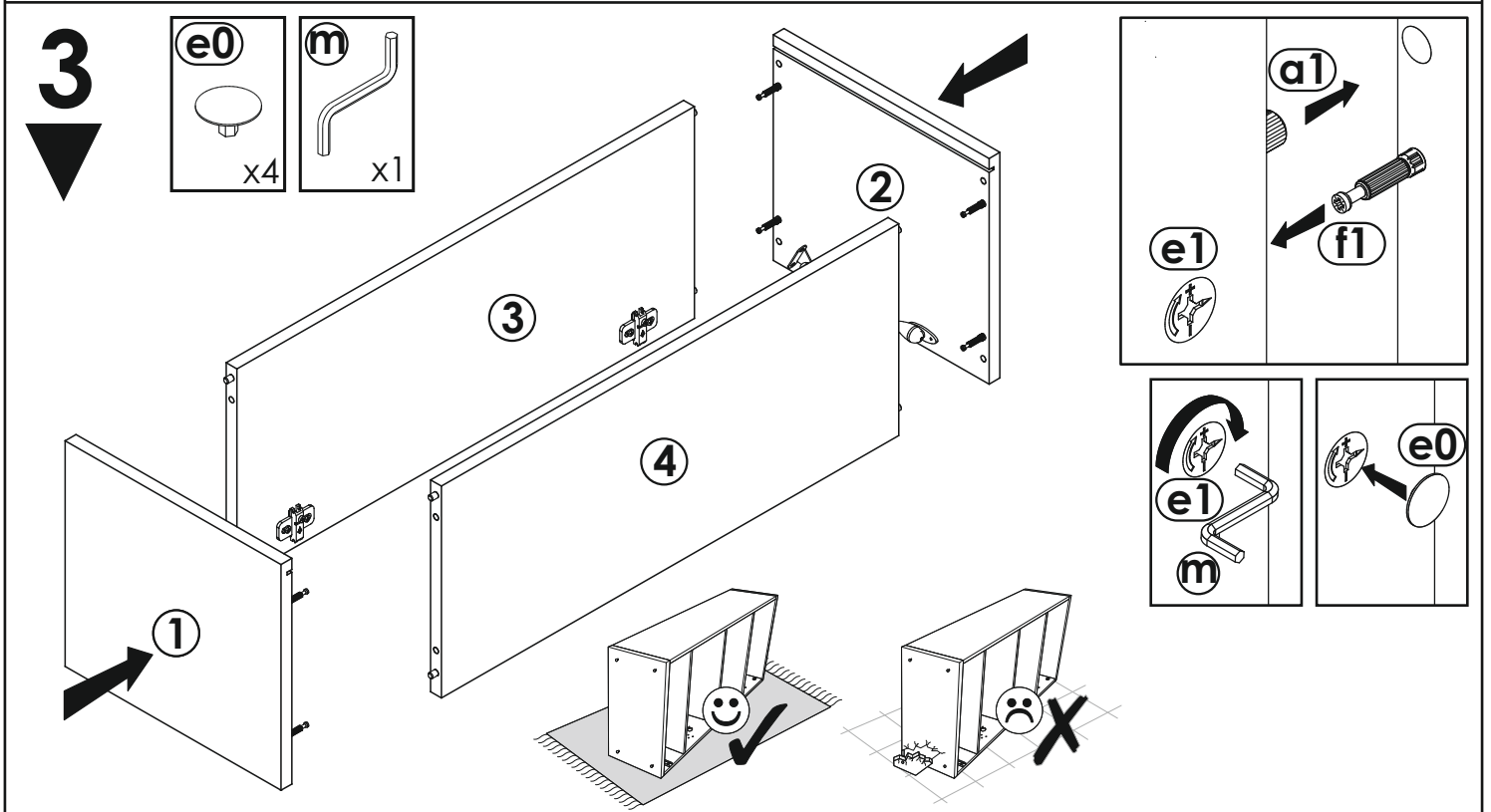
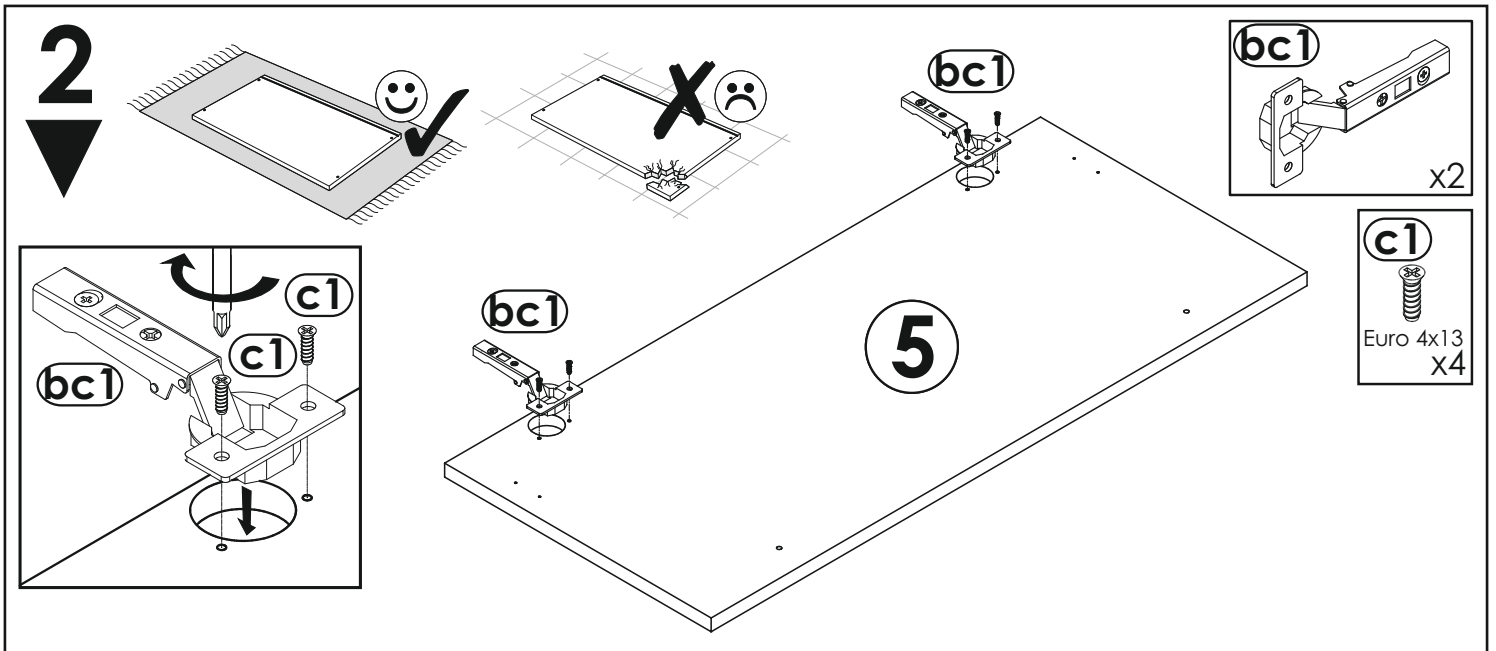


- ① -C1
- ② -C1
- ③ -C1
- ④ -C1
- ⑤ -C1
- ⑥ -C1

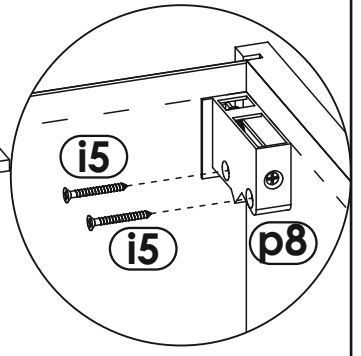
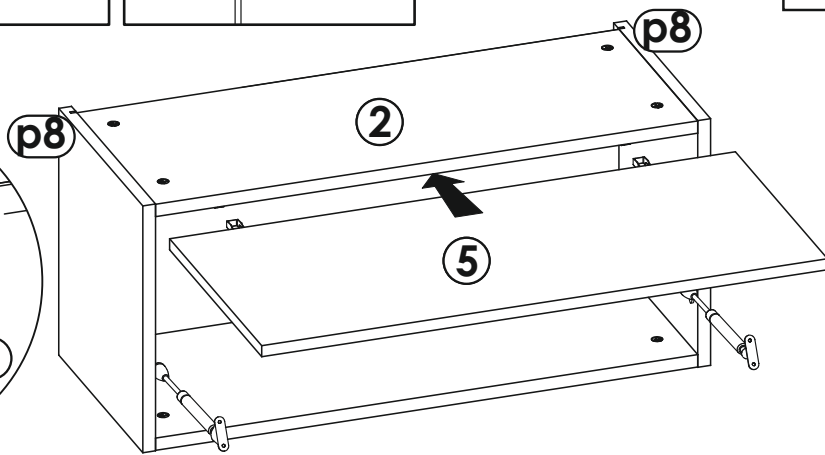
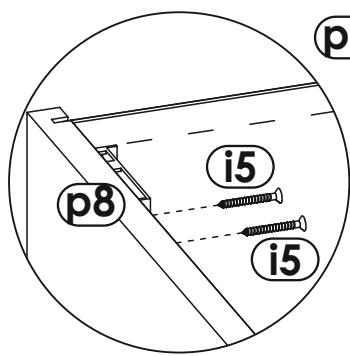
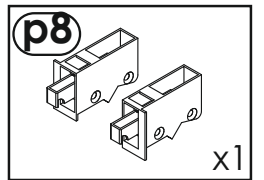
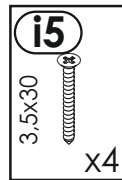
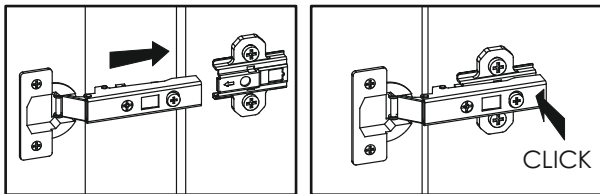


1
↓





5



6

