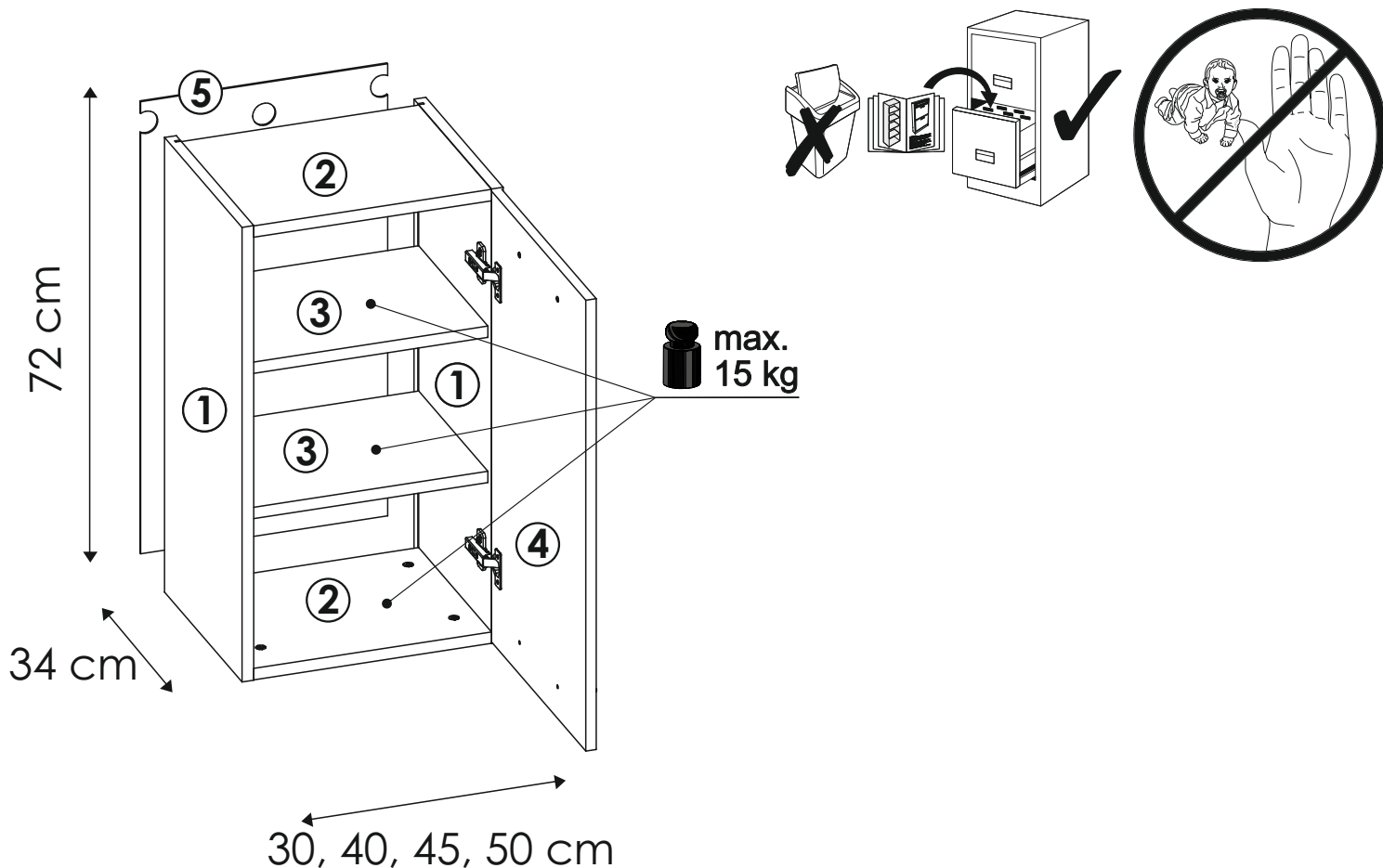
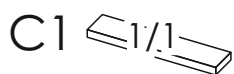
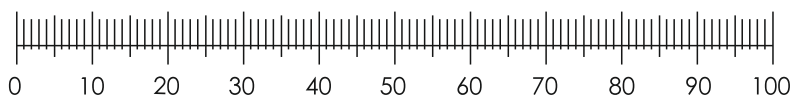


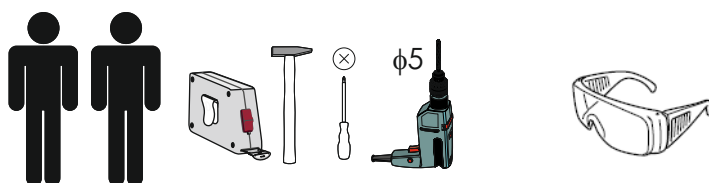
2 W2 30, 40, 45, 50



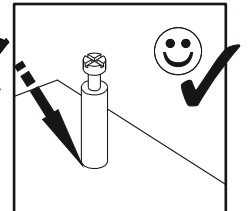
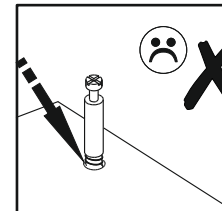
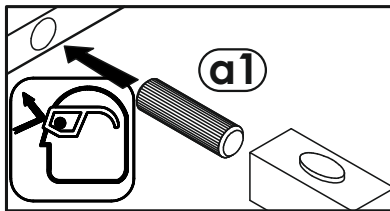
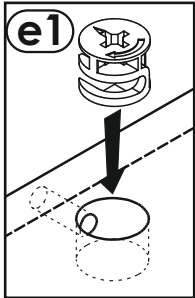
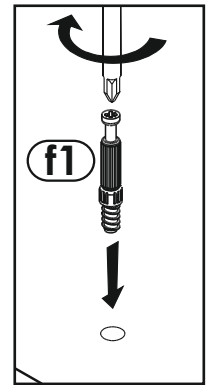
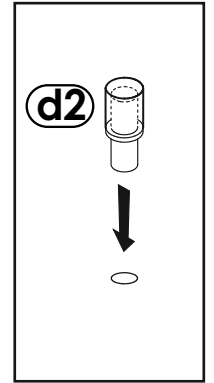
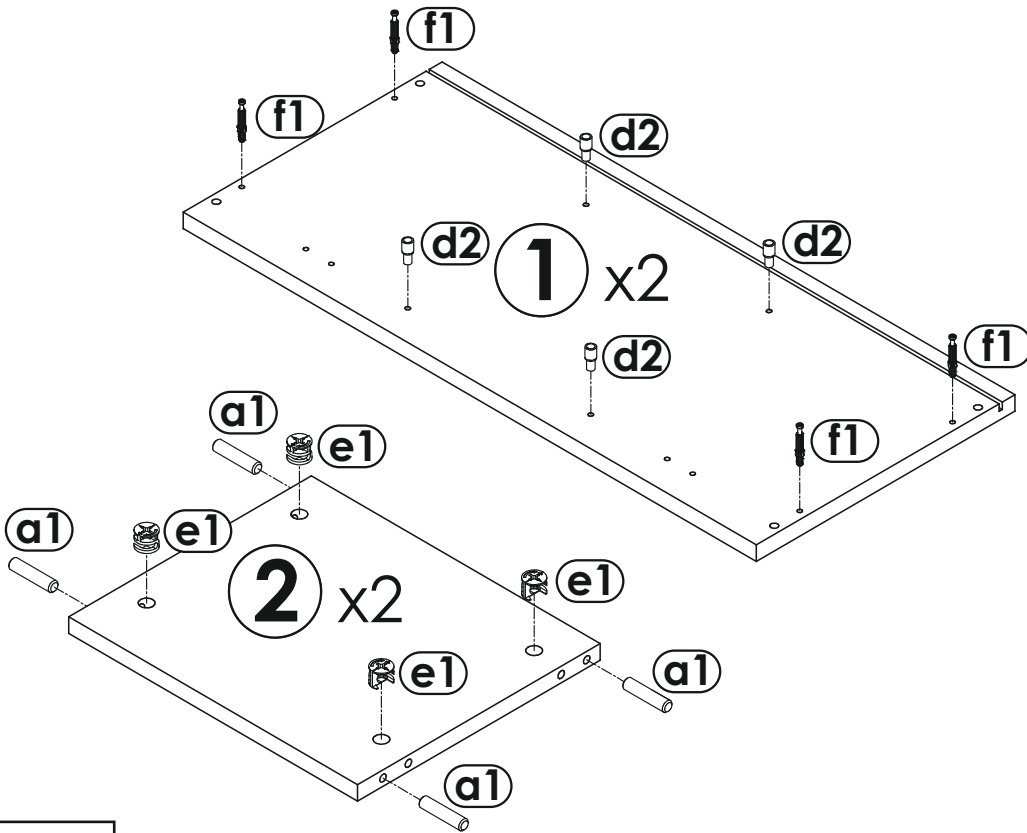
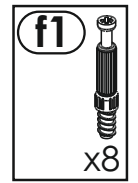
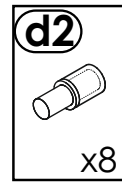
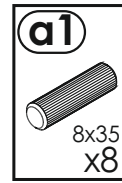
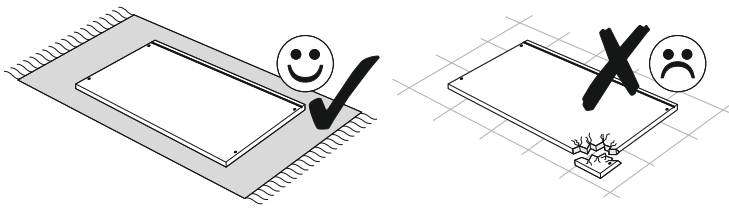
a1 8x35 X....(x8)	c1 Euro 4x13 X....(x4)	bc0 X....(x2)	bc1 X....(x2)	d2 X....(x8)	e0 X....(x8)	e1 X....(x8)	f1 X....(x8)	
h1 X....(x1)	i5 3,5x30 X....(x4)	k3 4x22 X....(x2)	m X....(x1)	n1 3x16 X....(x10)	p01 X....(x6)	p8 X....(x1)	r4 X....(x6)	w16 X....(x1)



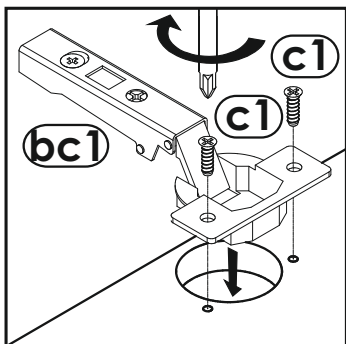
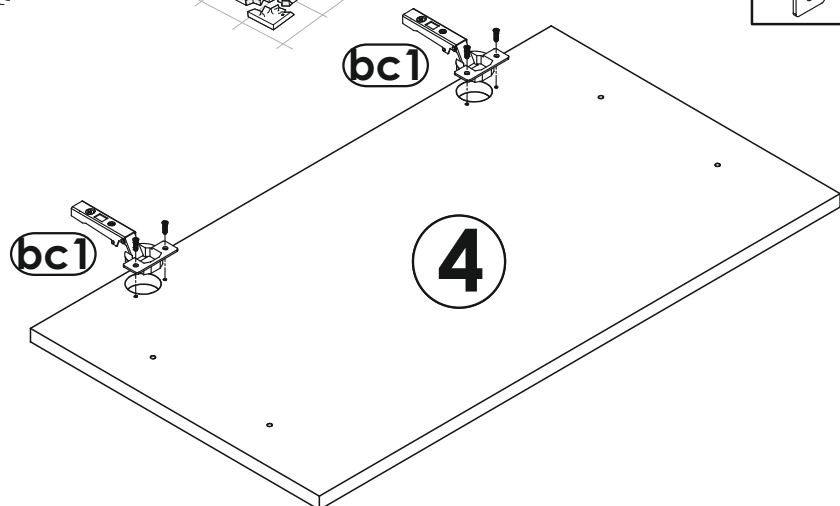
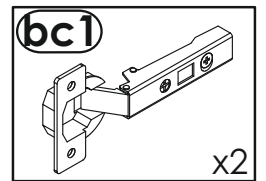
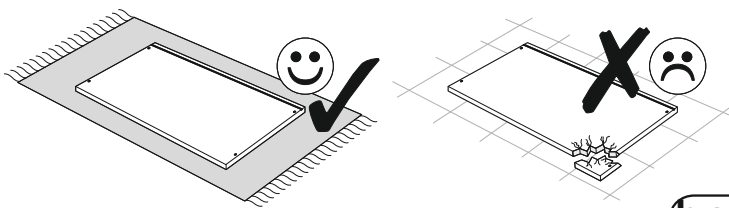
- ① -C1
- ② -C1
- ③ -C1
- ④ -C1
- ⑤ -C1

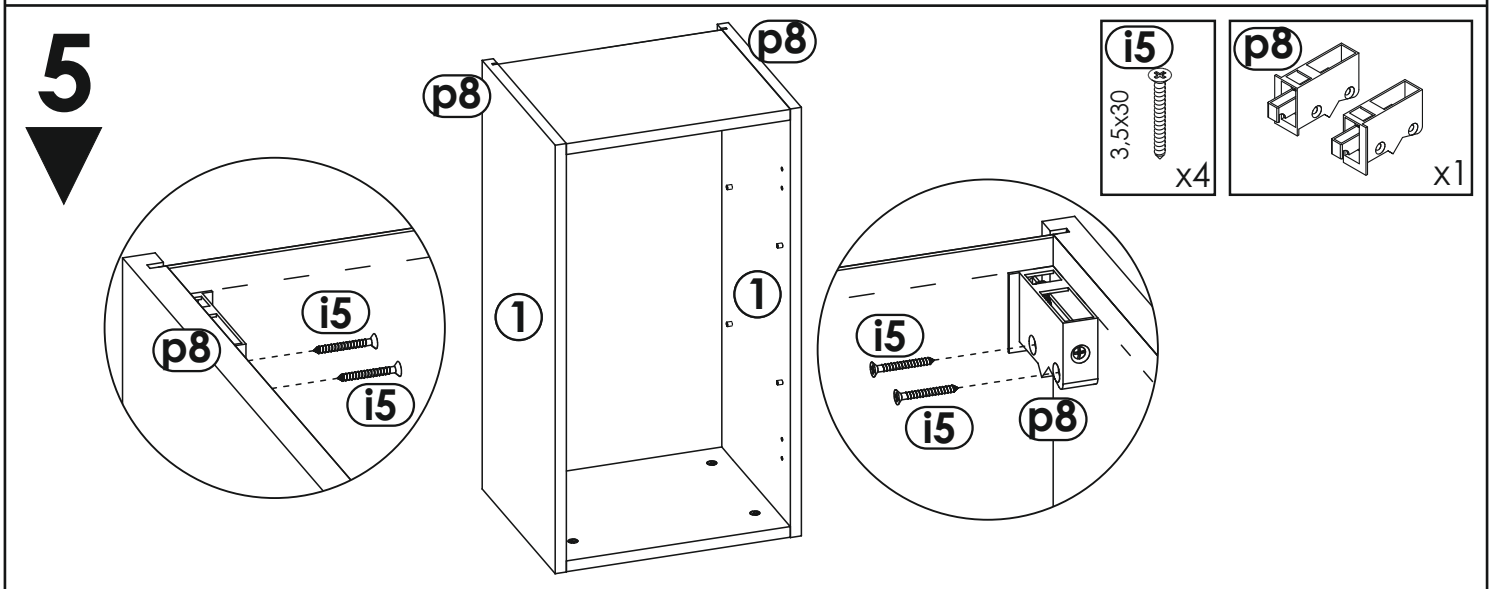
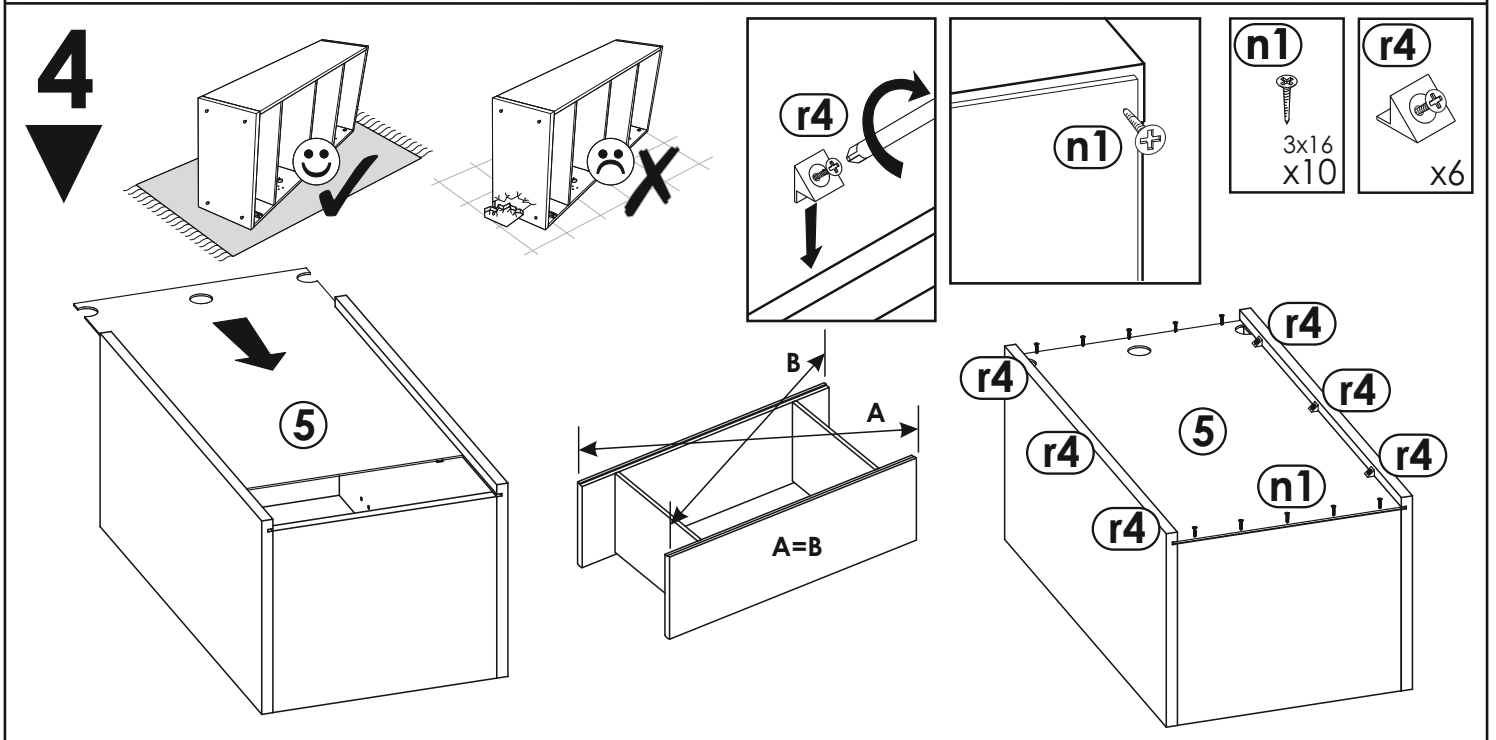
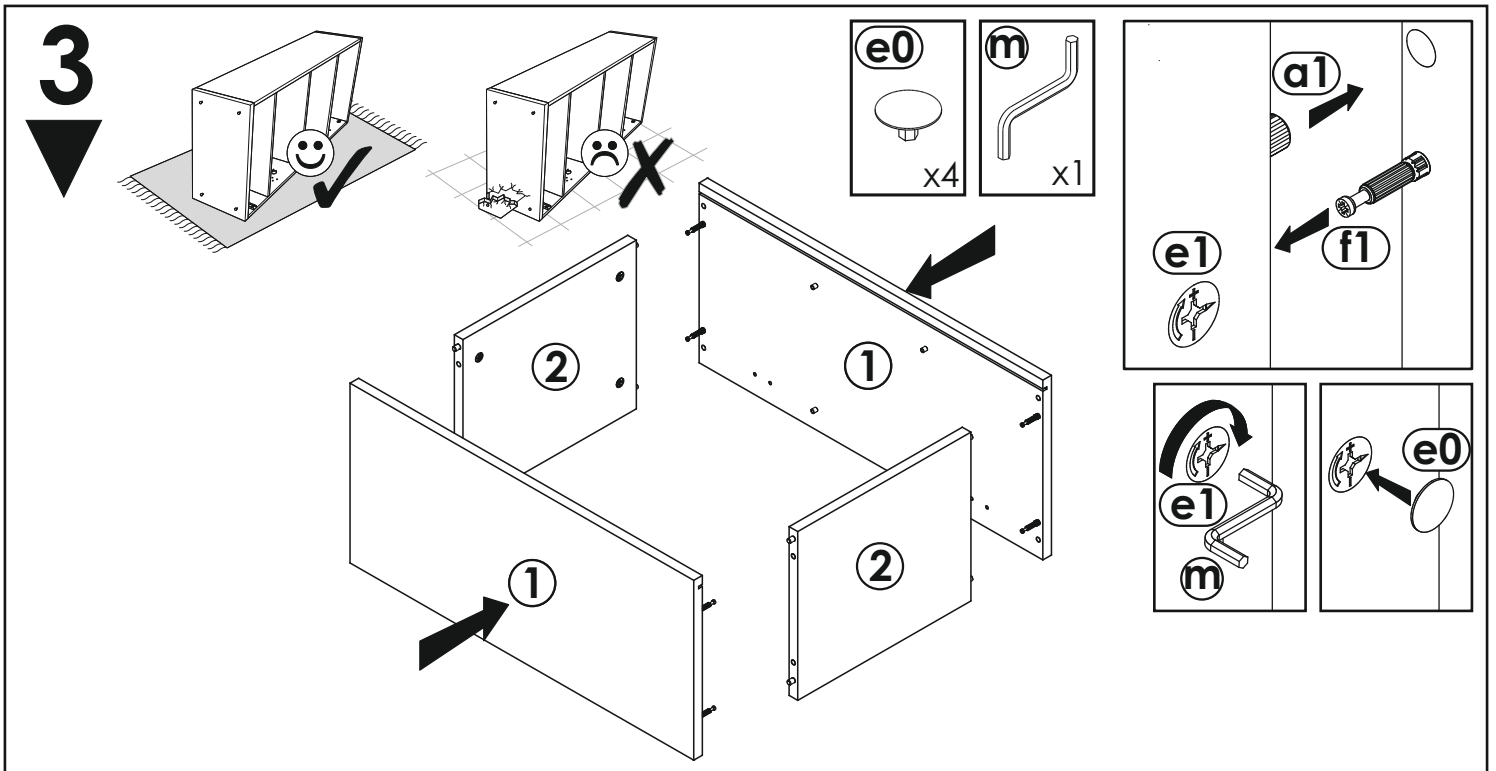


1

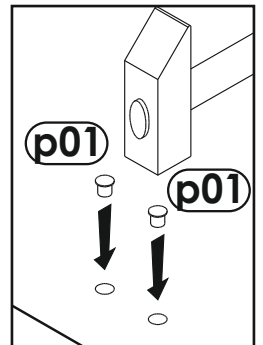
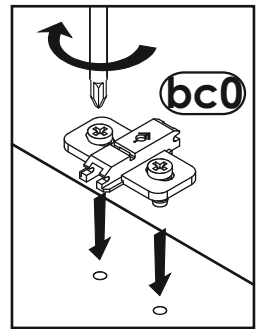
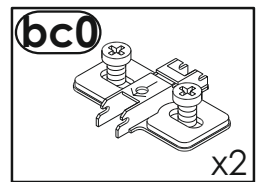
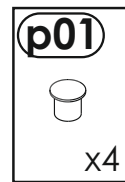
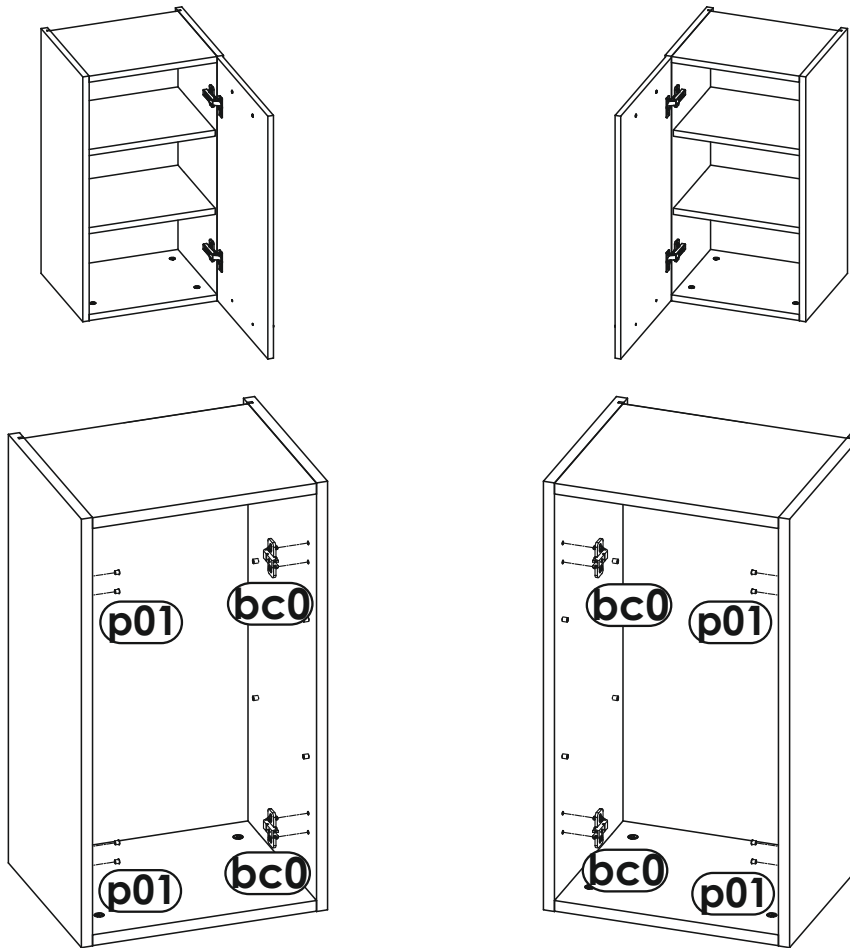


2

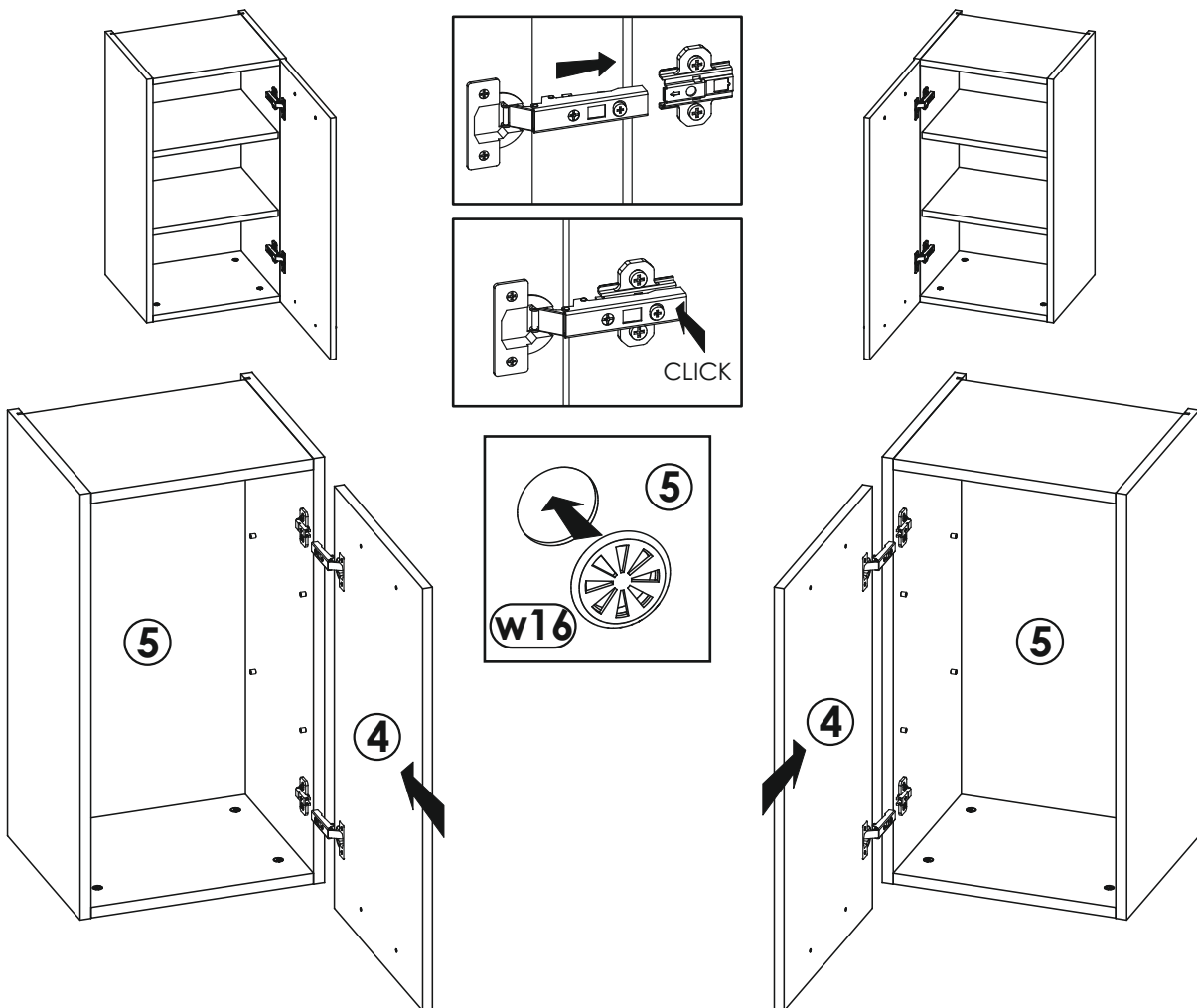




6



7



8

