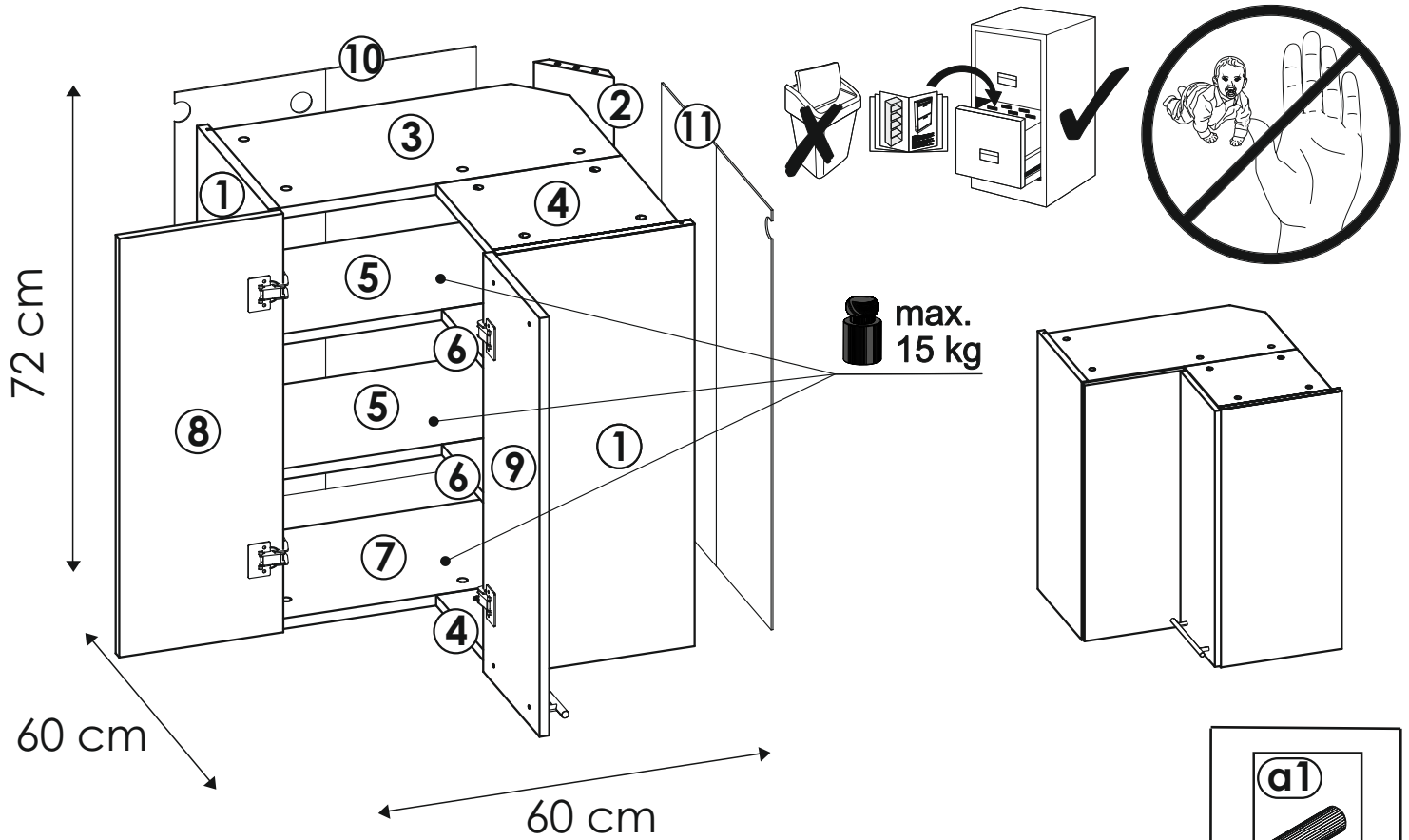
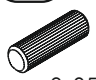

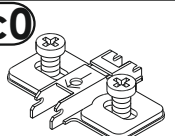
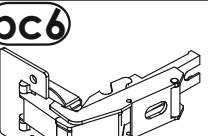








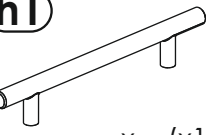
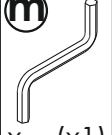


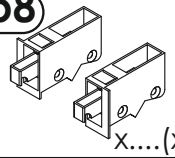
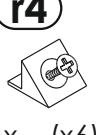
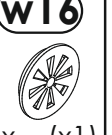
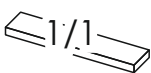
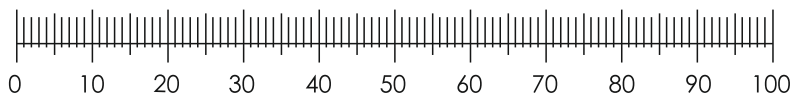


# W12 60

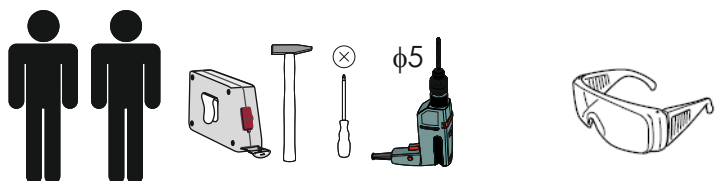


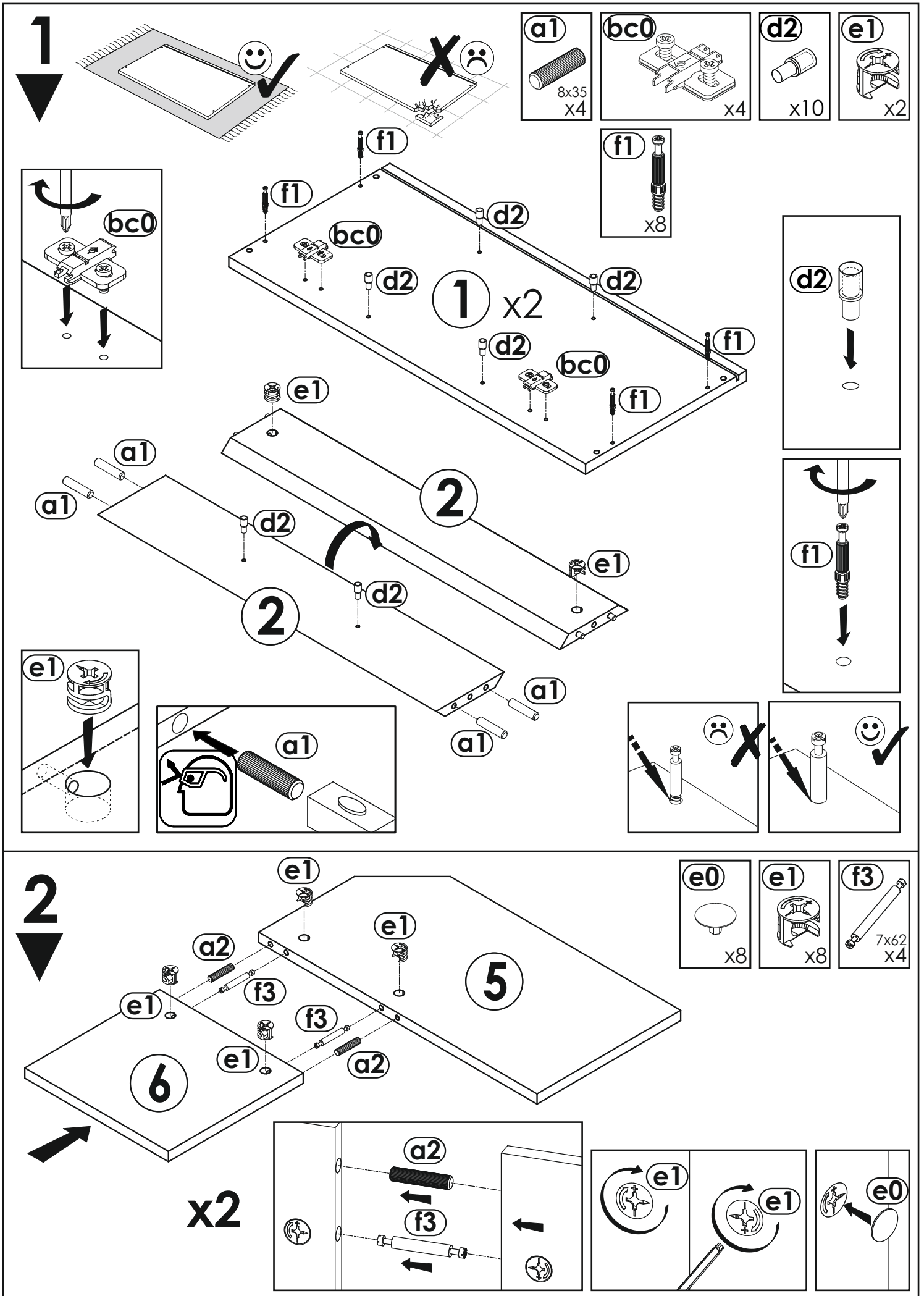
										<b>a1</b>  8x35 x....(x12)
<b>a2</b>  8x45 x....(x8)	<b>bc0</b>  x....(x4)	<b>bc6</b>  x....(x4)	<b>c1</b>  Euro 4x13 x....(x8)	<b>d2</b>  x....(x10)	<b>e0</b>  x....(x10)	<b>e1</b>  x....(x26)	<b>f1</b>  x....(x10)	<b>f3</b>  7x62 x....(x8)		
<b>i5</b>  3.5x30 x....(x4)	<b>k3</b>  4x22 x....(x2)	<b>h1</b>  x....(x1)	<b>m</b>  x....(x1)	<b>n1</b>  3x16 x....(x30)	<b>p02</b>  COLOUR x....(x2)	<b>p8</b>  x....(x1)	<b>r4</b>  x....(x6)	<b>w16</b>  x....(x1)		

C1  1/1

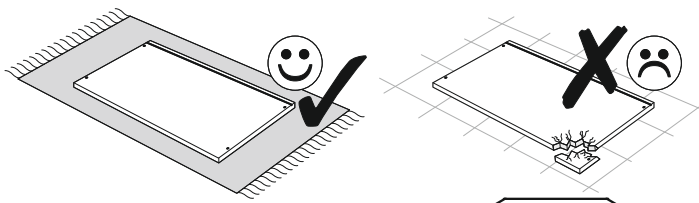


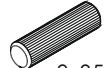




- |       |       |
|-------|-------|
| ① -C1 | ⑦ -C1 |
| ② -C1 | ⑧ -C1 |
| ③ -C1 | ⑨ -C1 |
| ④ -C1 | ⑩ -C1 |
| ⑤ -C1 | ⑪ -C1 |
| ⑥ -C1 |       |

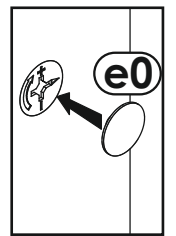
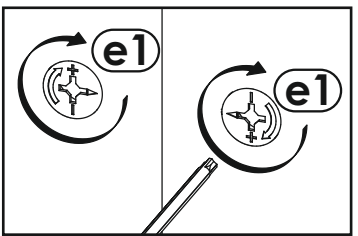
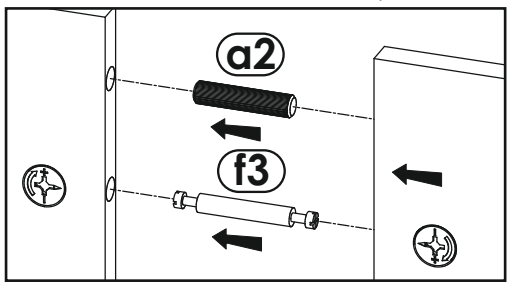
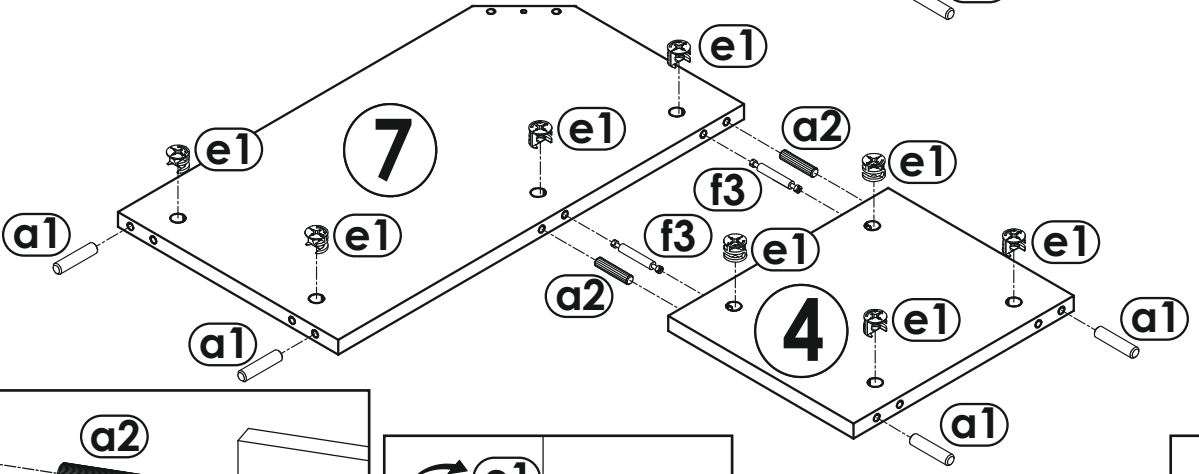
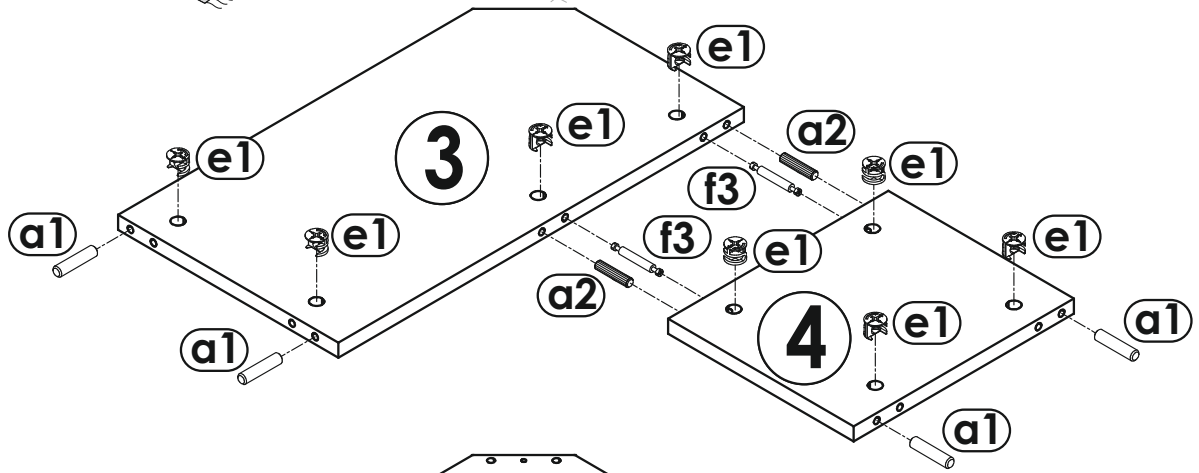




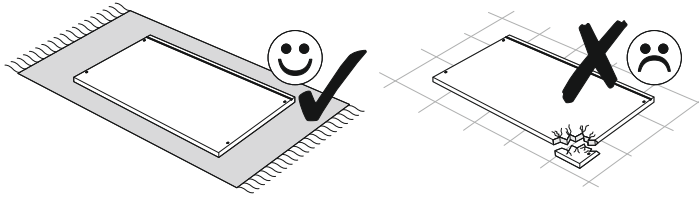
3

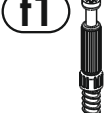


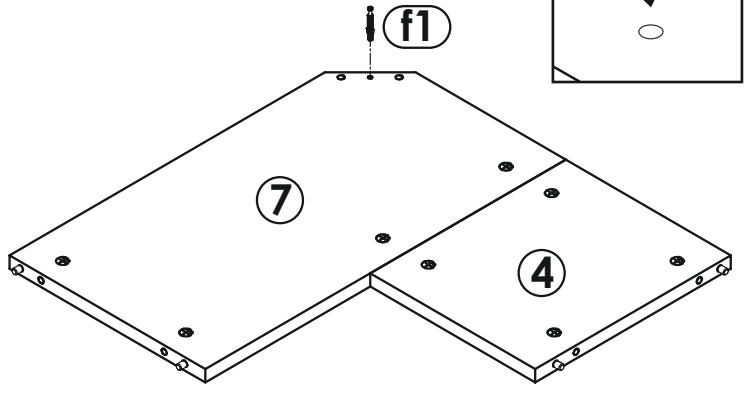
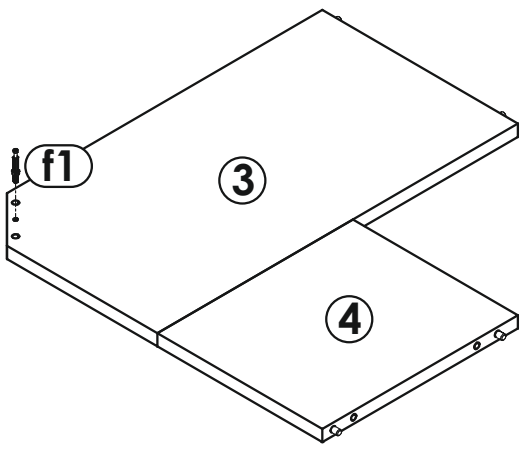
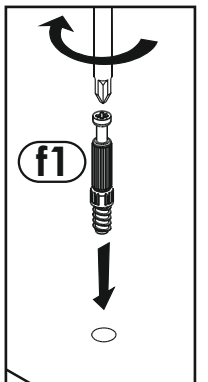
- a1**  
  
 8x35  
 x8
- a2**  
  
 8x45  
 x4
- f3**  
  
 7x62  
 x4
- e1**  
  
 x16
- e0**  
  
 x16



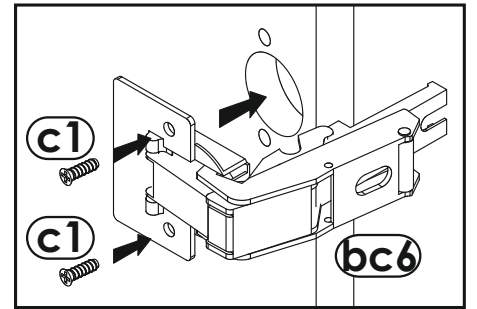
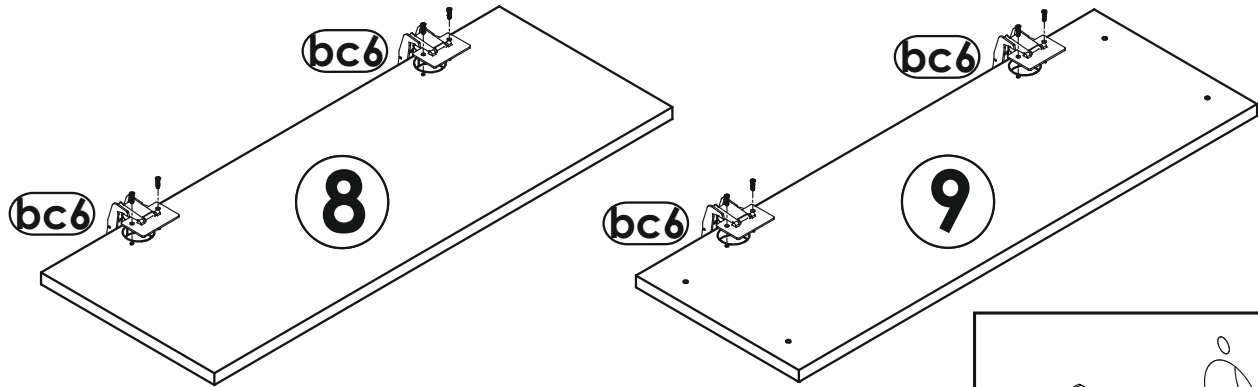
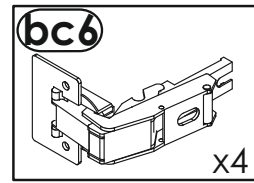
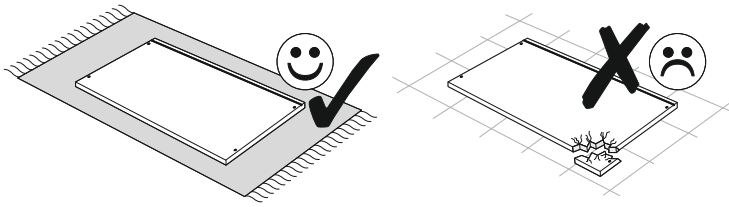
4



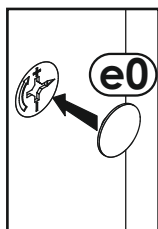
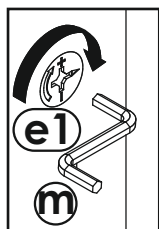
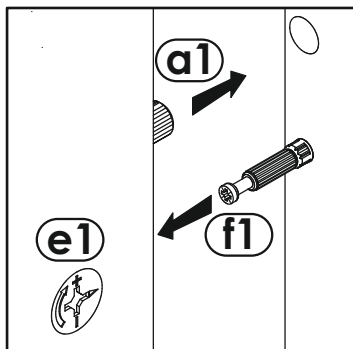
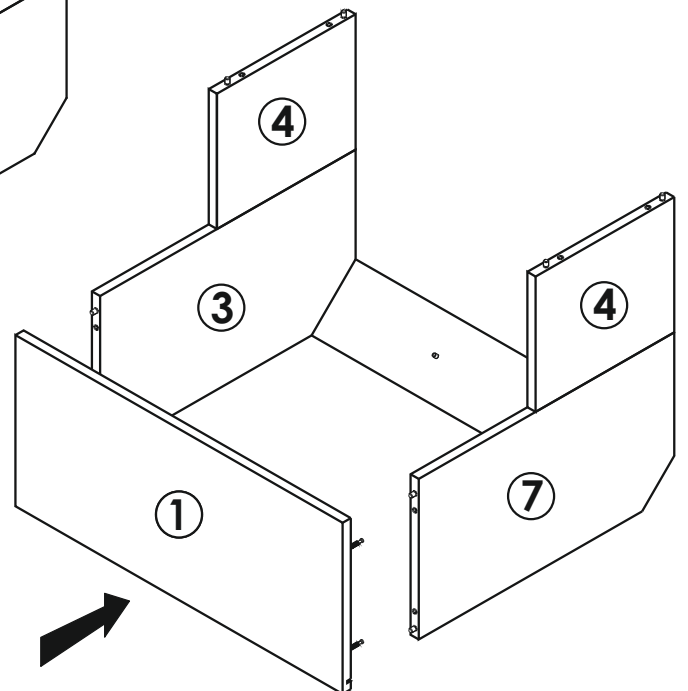
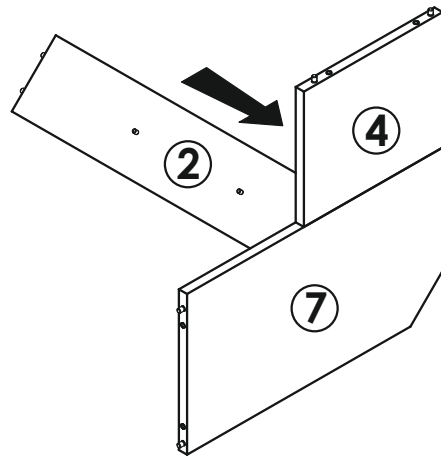
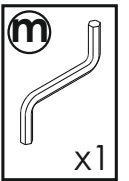
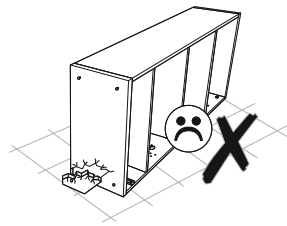
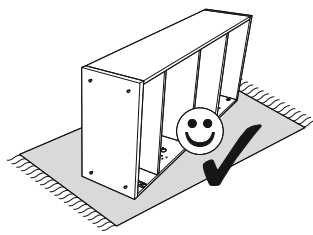
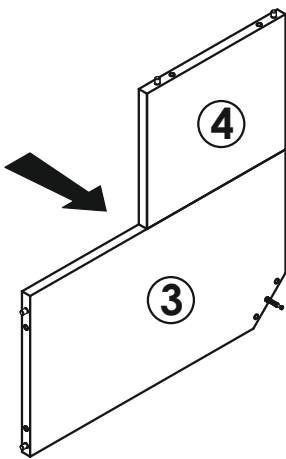
- f1**  
  
 x2



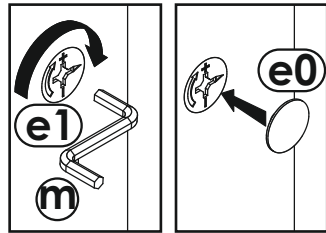
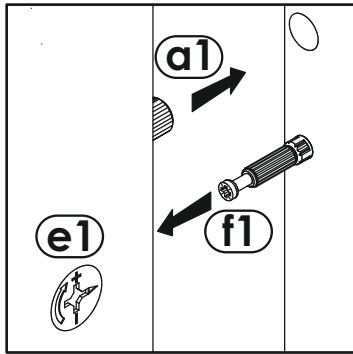
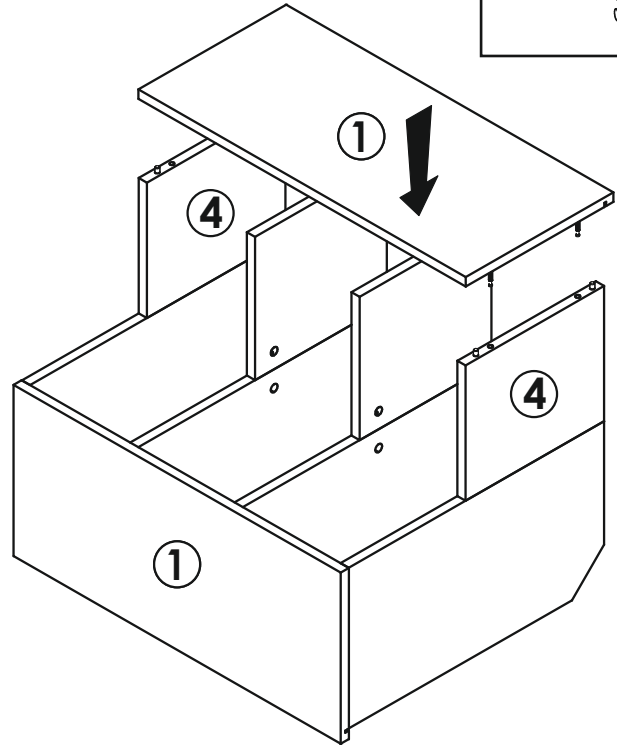
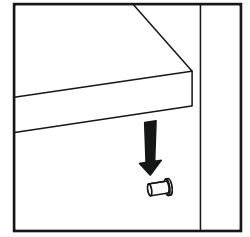
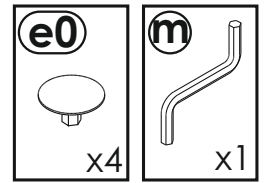
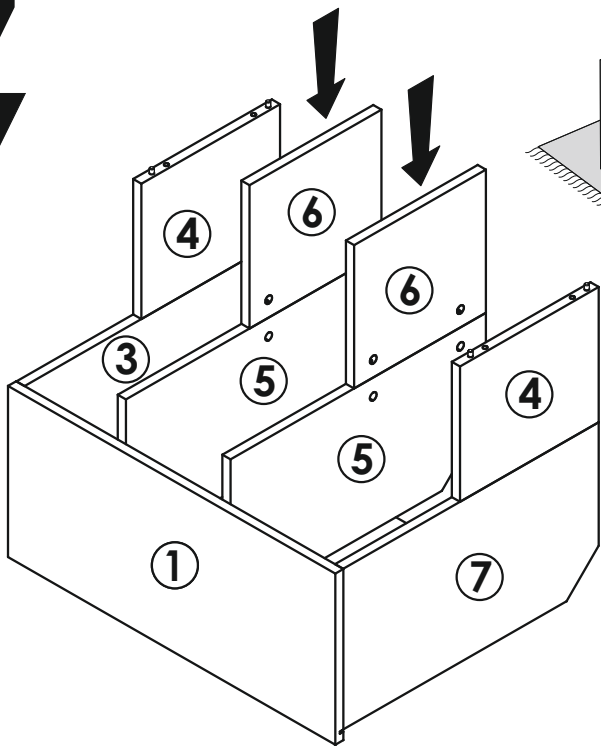
5



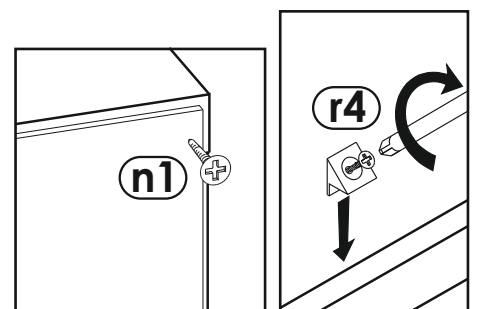
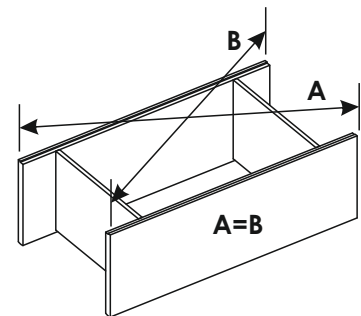
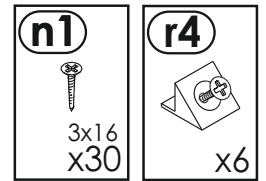
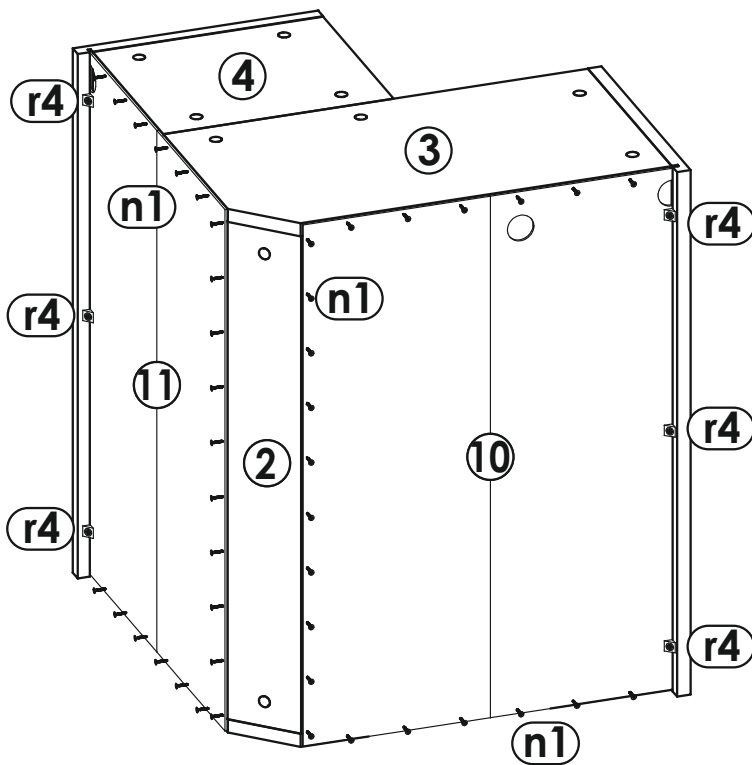
6



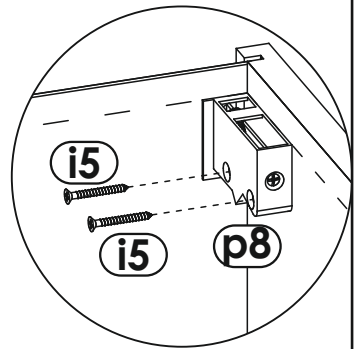
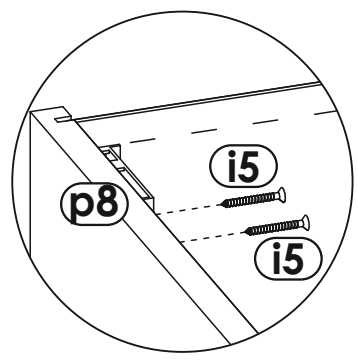
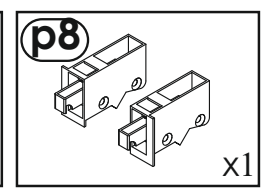
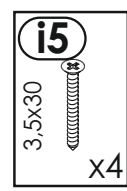
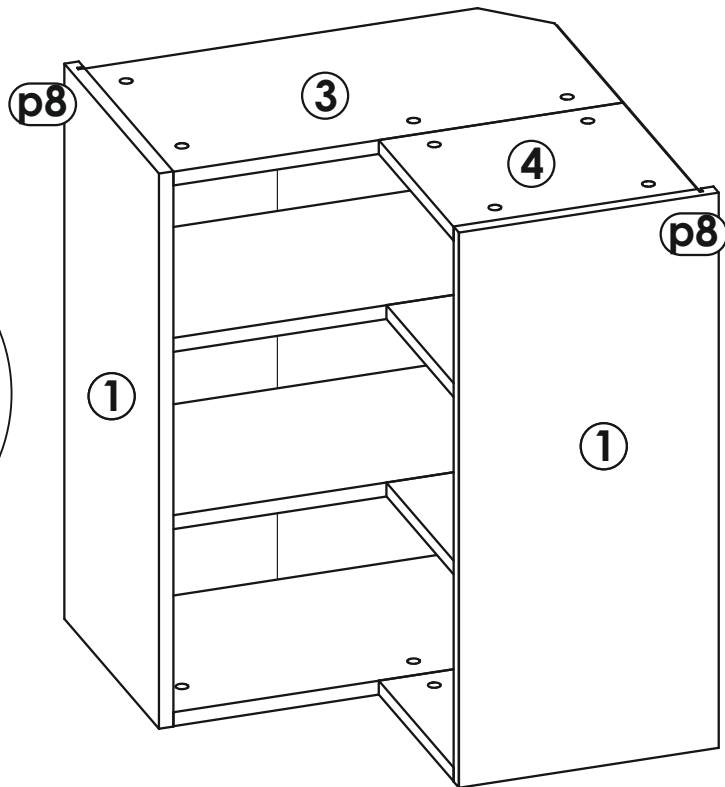
7



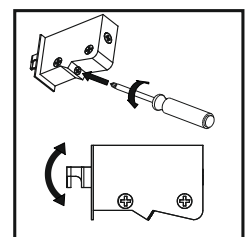
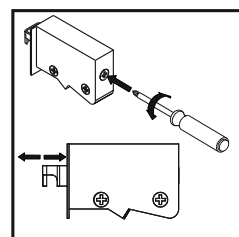
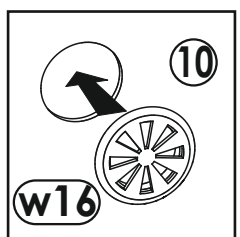
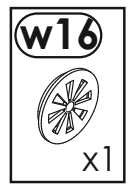
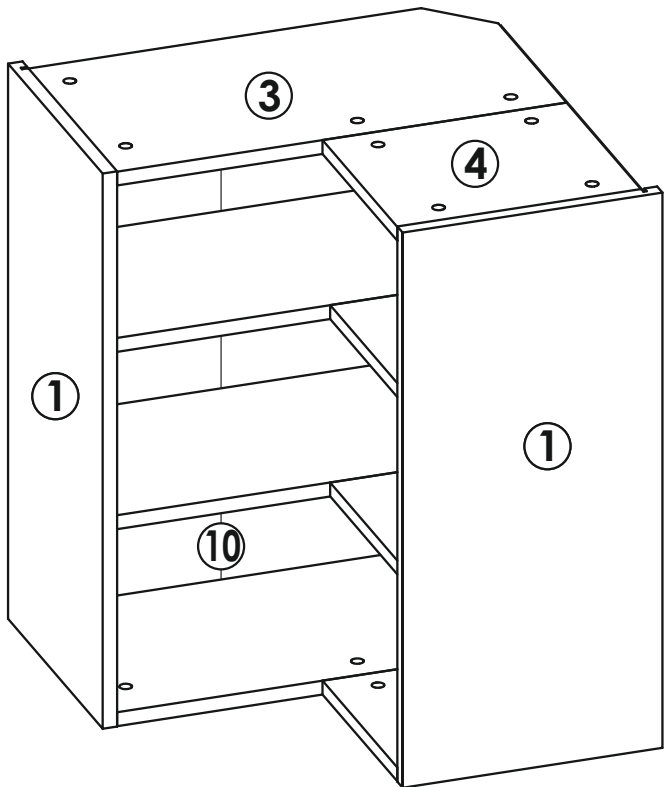
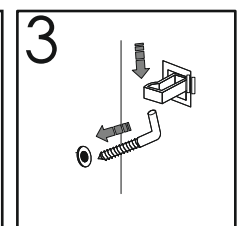
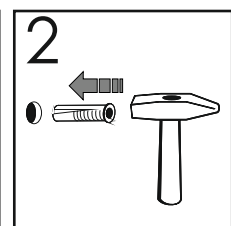
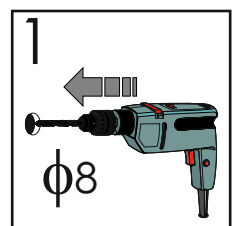
8



9  
▼



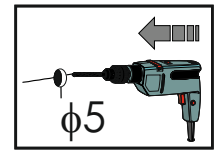
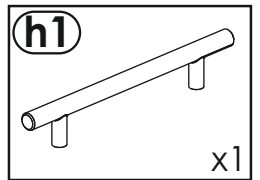
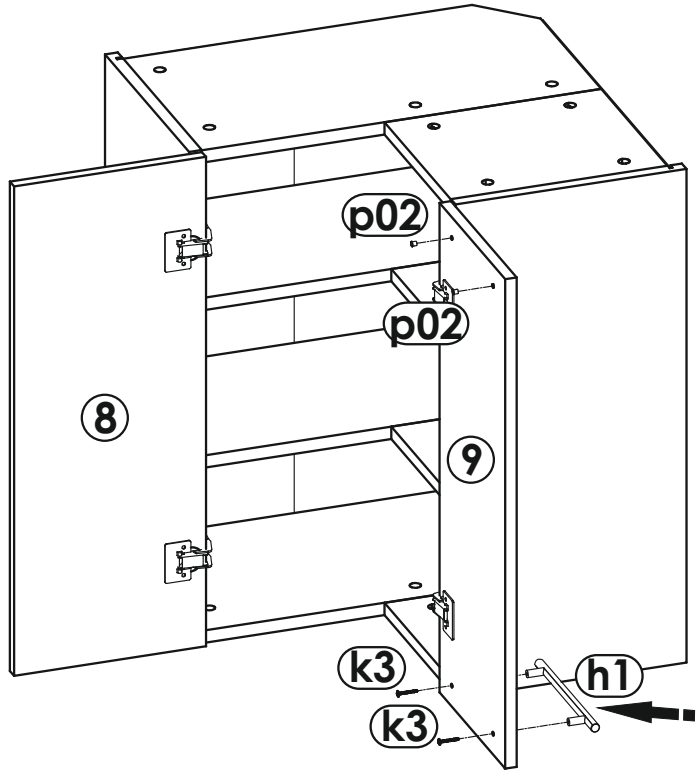
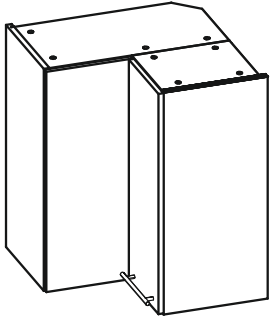
10  
▼



11



11A



11B

