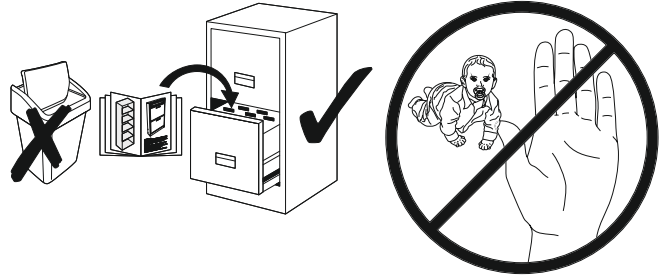
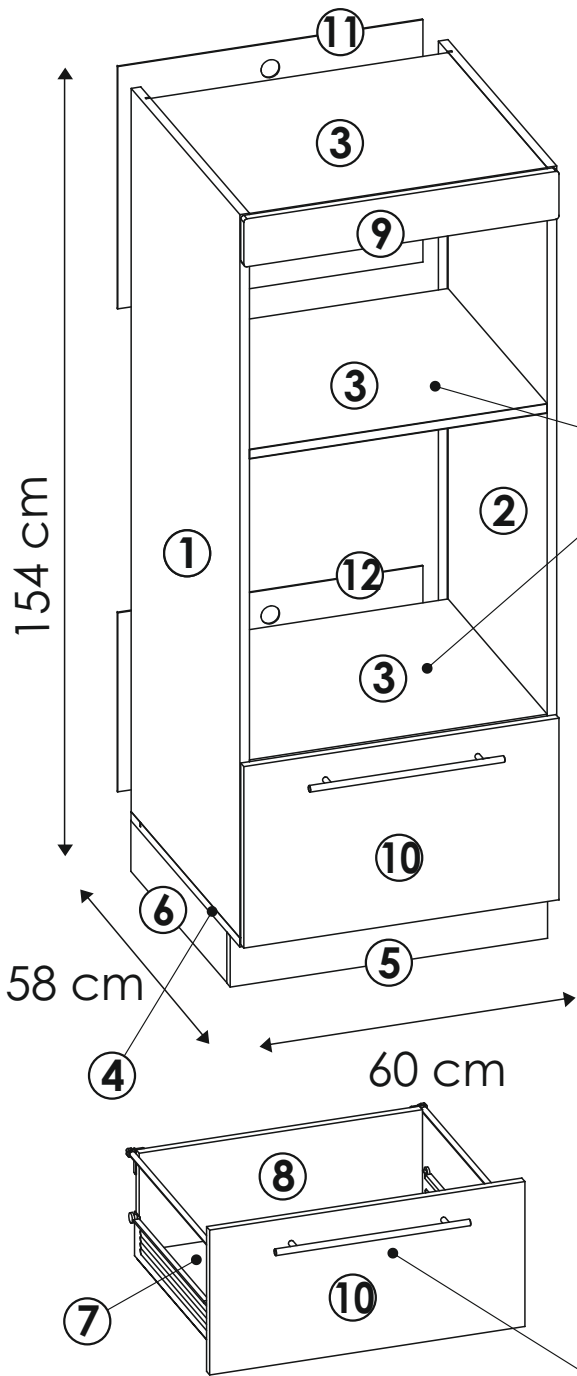
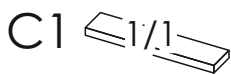


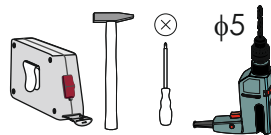
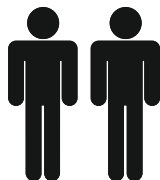
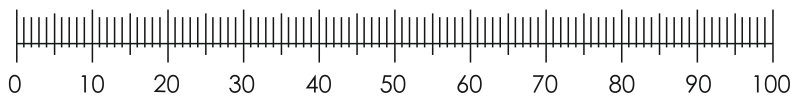
# D5AM 60



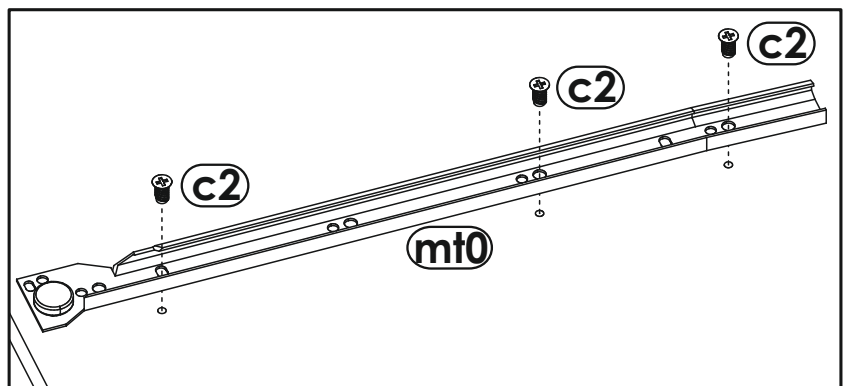
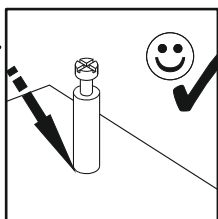
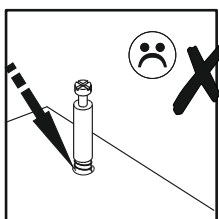
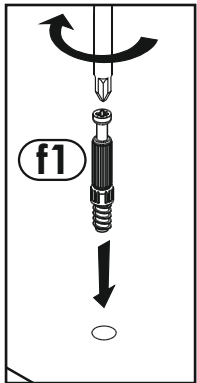
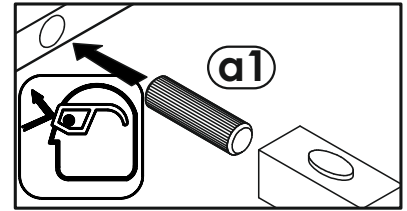
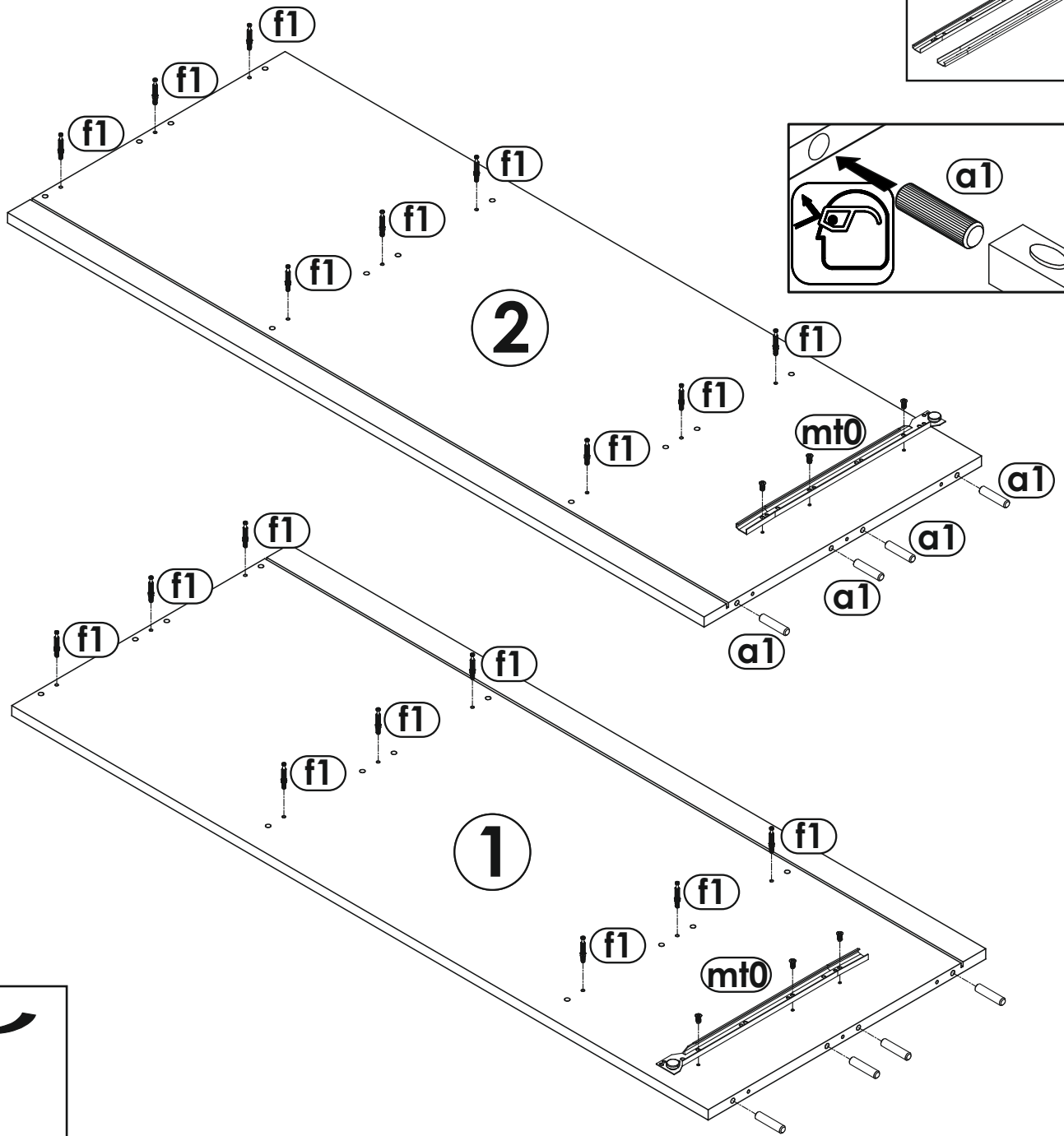
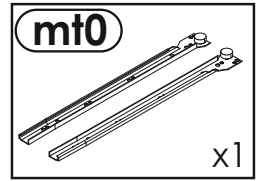
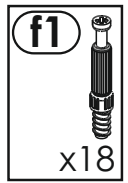
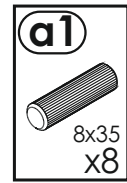
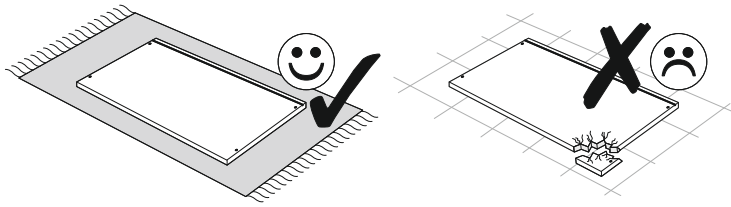
<b>a1</b> 8x35 x...(x32)	<b>c2</b> Euro 5x13 x...(x20)	<b>d5</b> x...(x2)	<b>e0</b> x...(x18)
<b>e1</b> x...(x18)	<b>f1</b> x...(x18)	<b>g1</b> x...(x6)	<b>i6</b> 3,5x40 x...(x2)
<b>h1</b> x...(x1)	<b>k3</b> 4x22 x...(x2)	<b>mt0</b> x...(x1)	
<b>m</b> x...(x1)	<b>mt1</b> x...(x1)	<b>mt2</b> right x...(x1)	<b>mt3</b> left x...(x1)
<b>mt4</b> x...(x2)	<b>mt5</b> x...(x2)	<b>n1</b> 3x16 x...(x20)	<b>n2</b> 3,5x16 x...(x28)
<b>r4</b> x...(x12)	<b>o1</b> x...(x4)	<b>o2</b> x...(x4)	<b>w</b> x...(x2)
			<b>w16</b> x...(x2)



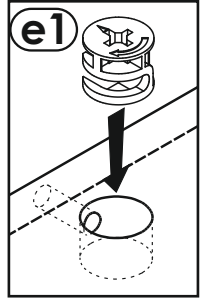
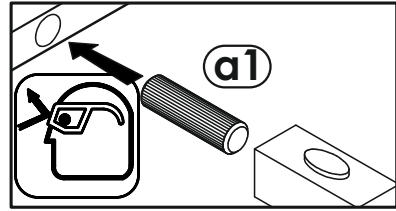
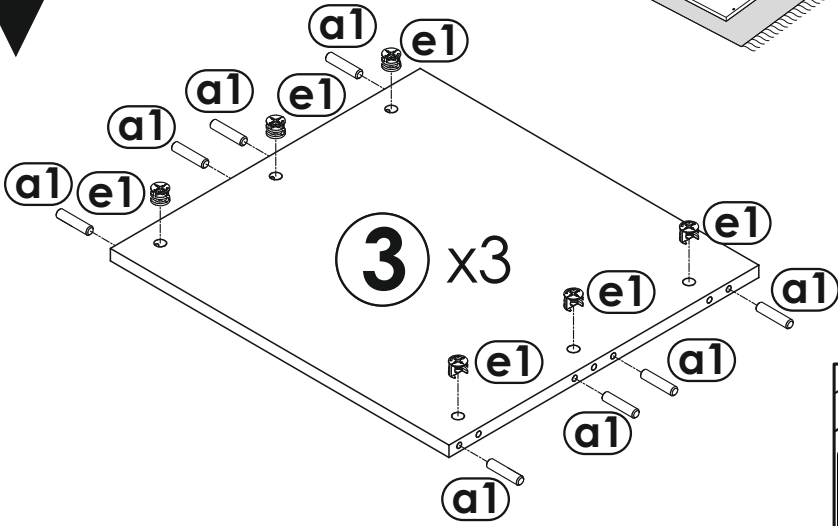
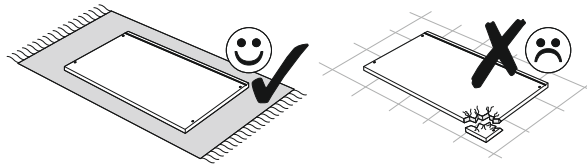
- |       |       |       |
|-------|-------|-------|
| ① -C1 | ⑥ -C1 | ⑪ -C1 |
| ② -C1 | ⑦ -C1 | ⑫ -C1 |
| ③ -C1 | ⑧ -C1 |       |
| ④ -C1 | ⑨ -C1 |       |
| ⑤ -C1 | ⑩ -C1 |       |



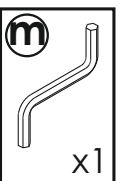
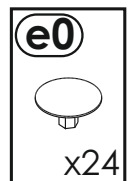
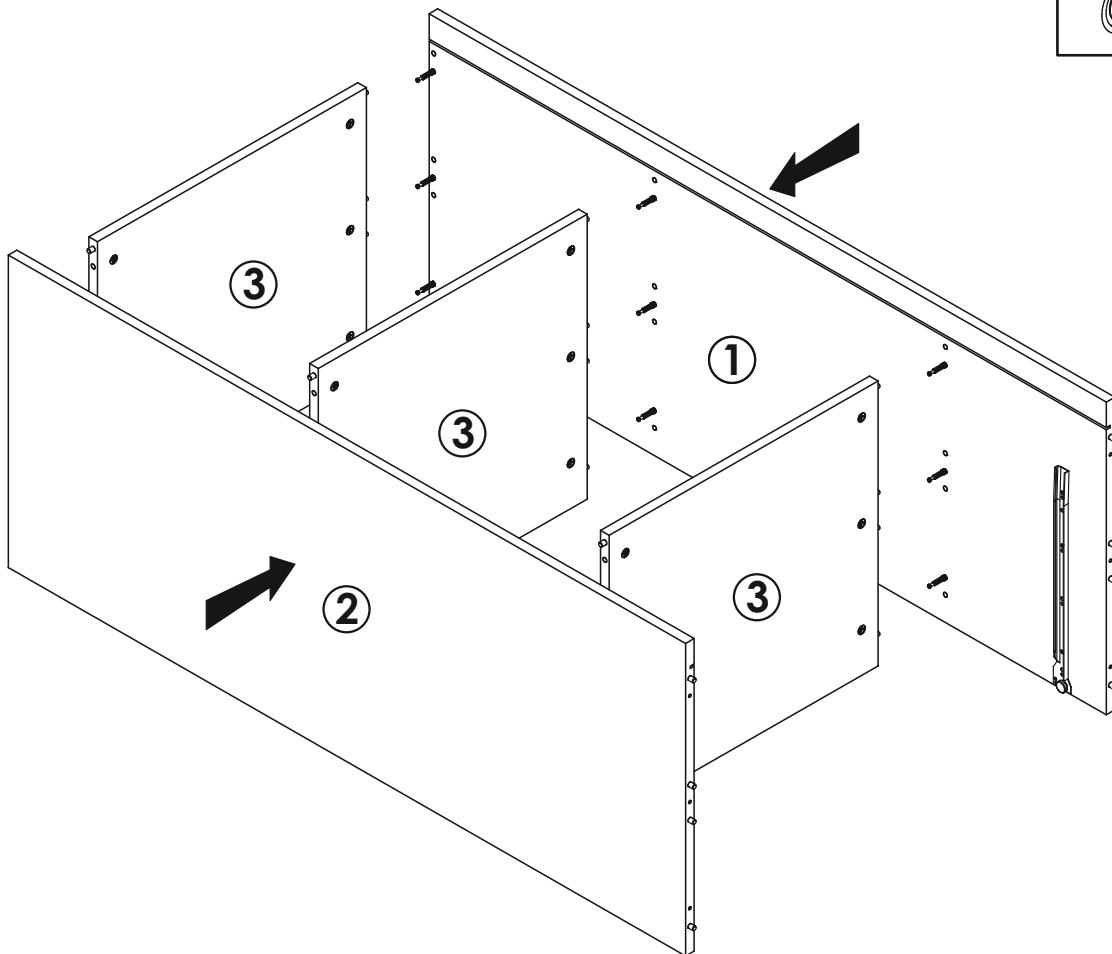
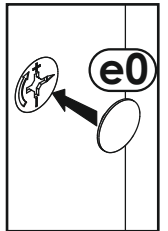
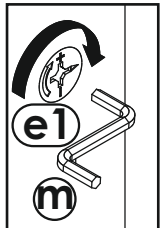
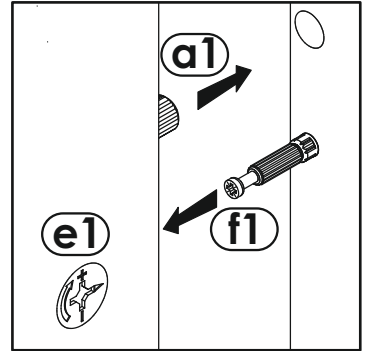
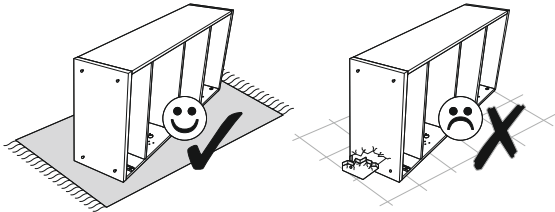
1



2

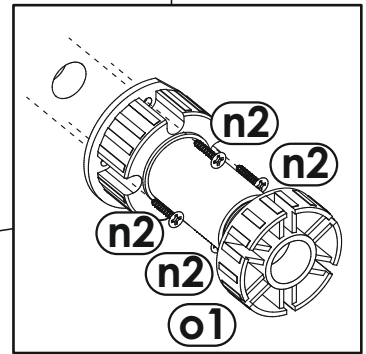
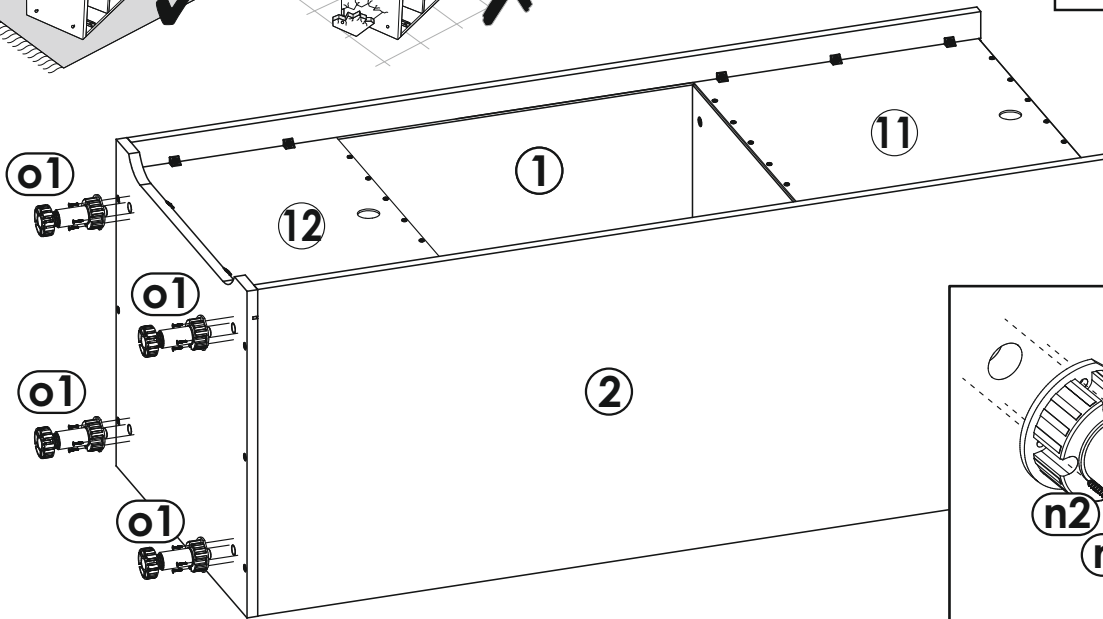
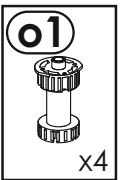
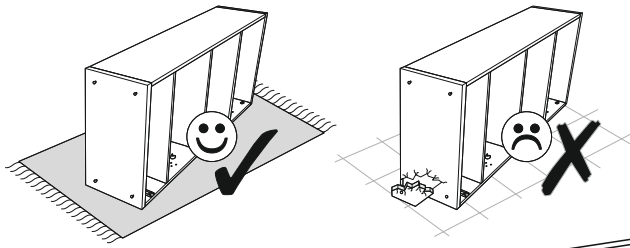


3

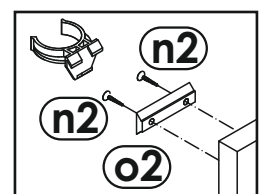
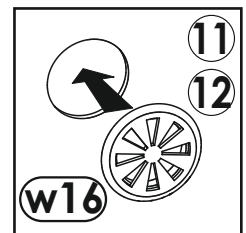
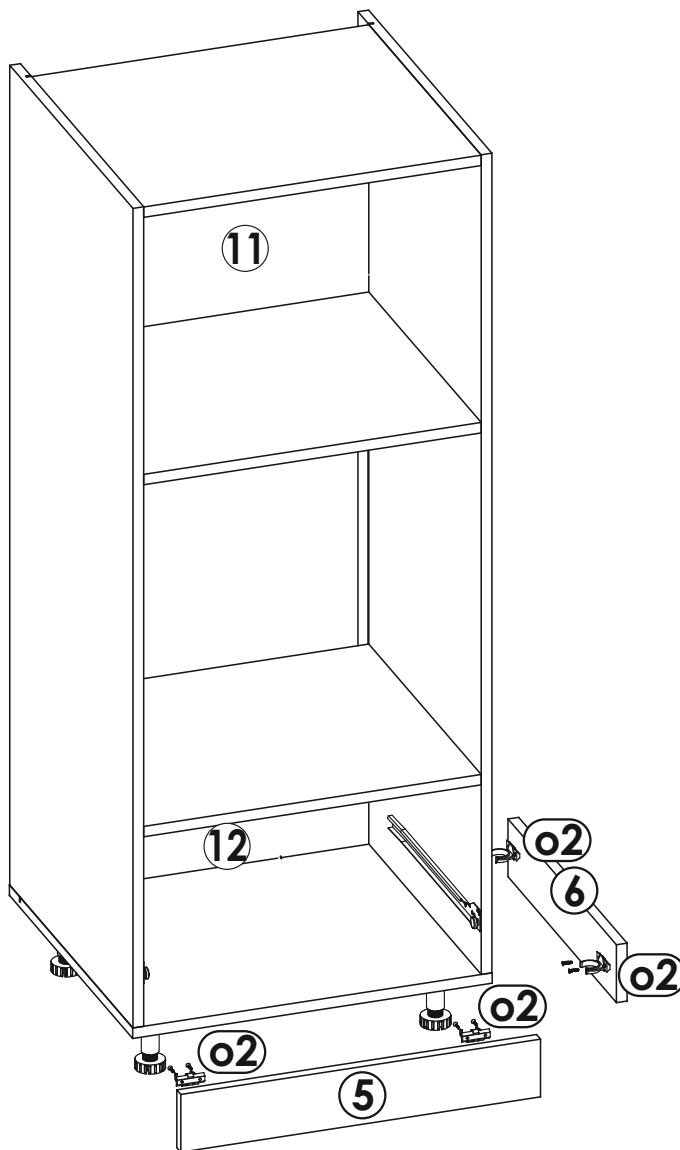
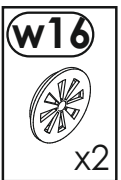
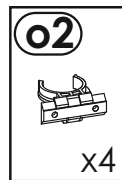
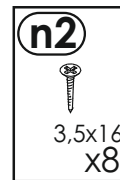




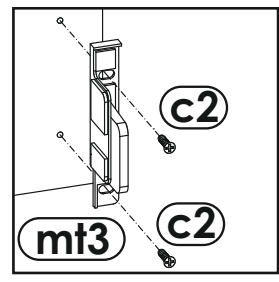
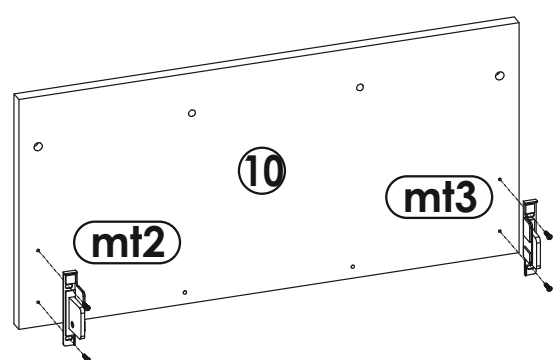
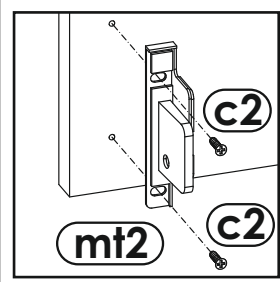
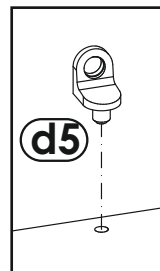
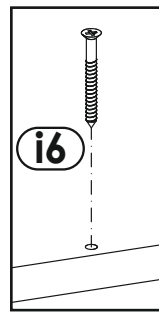
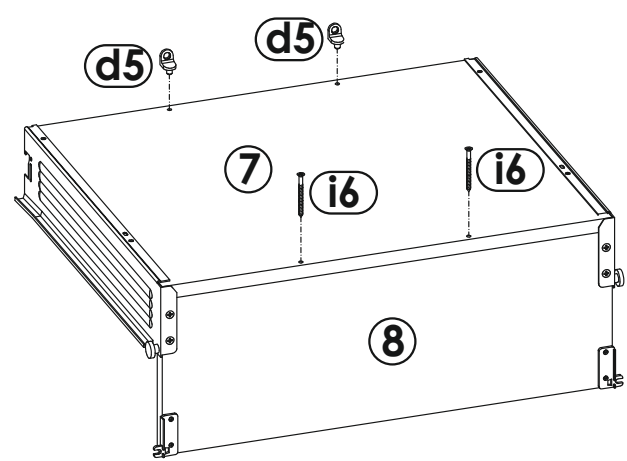
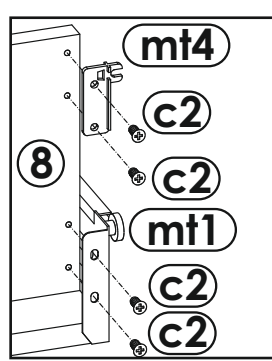
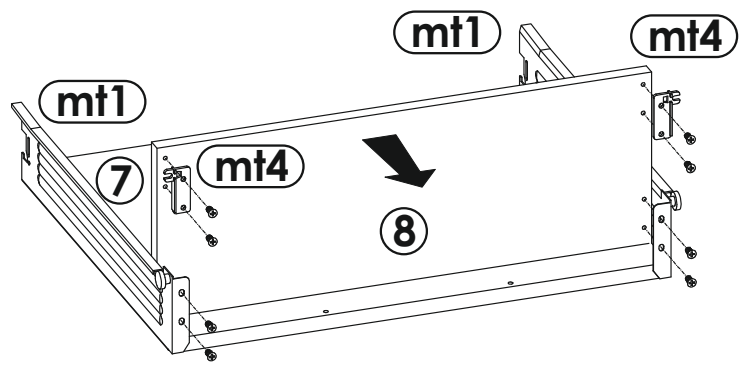
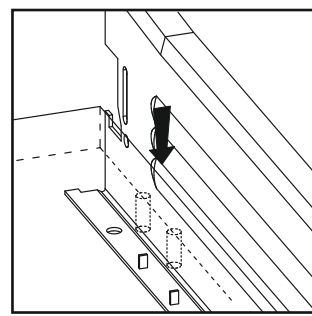
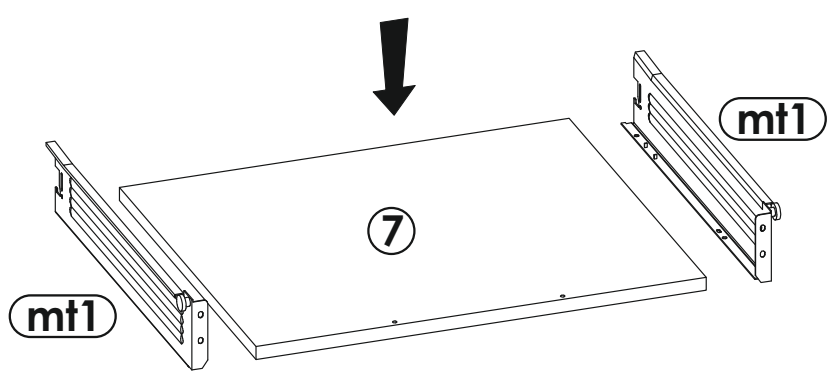
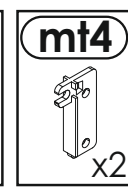
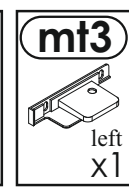
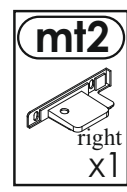
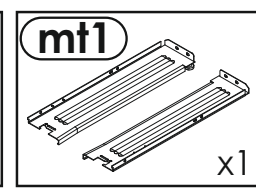
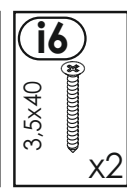
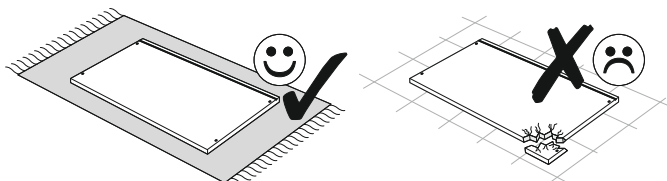
6



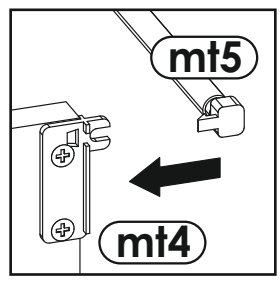
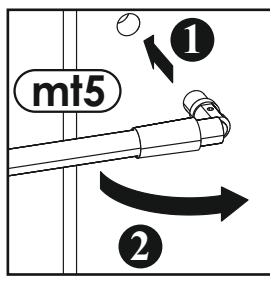
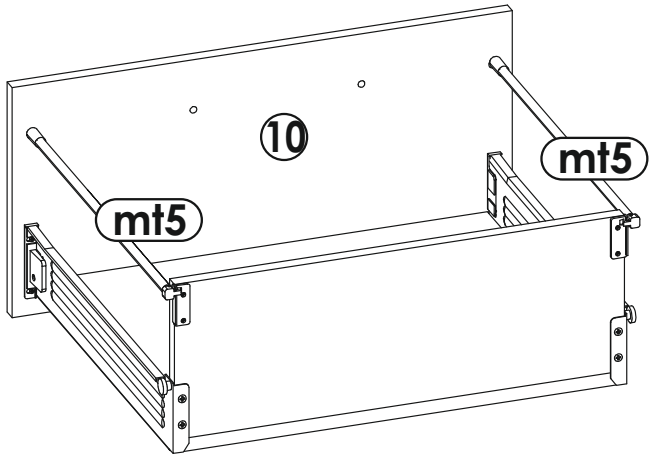
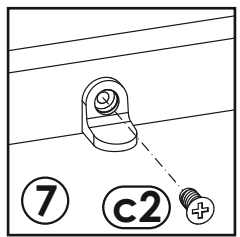
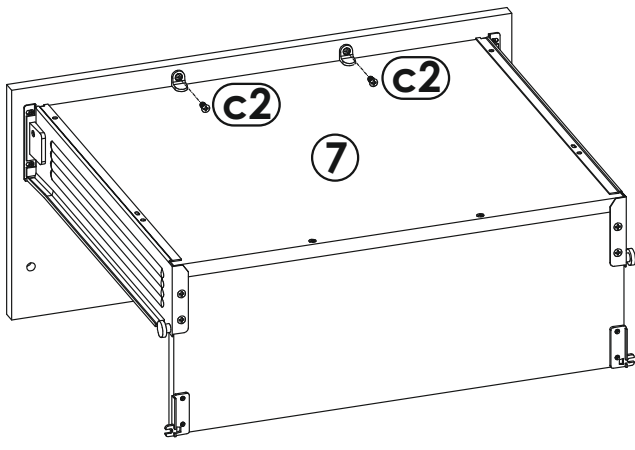
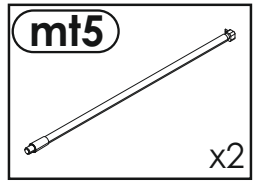
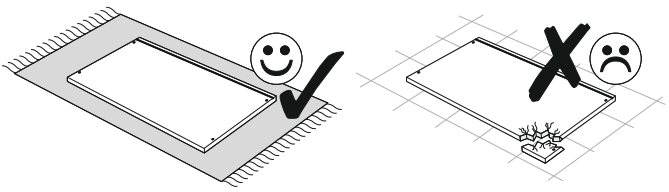
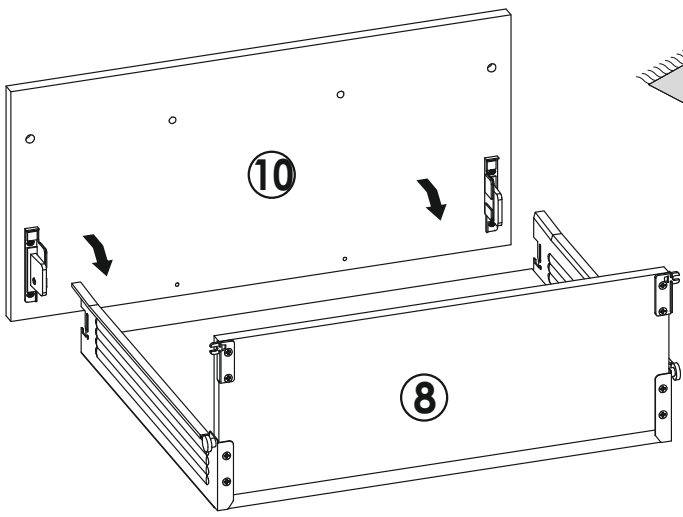
7



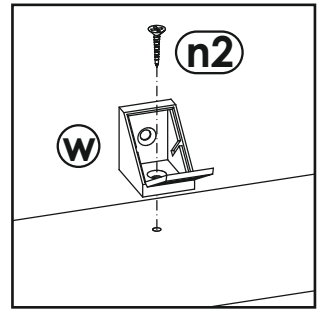
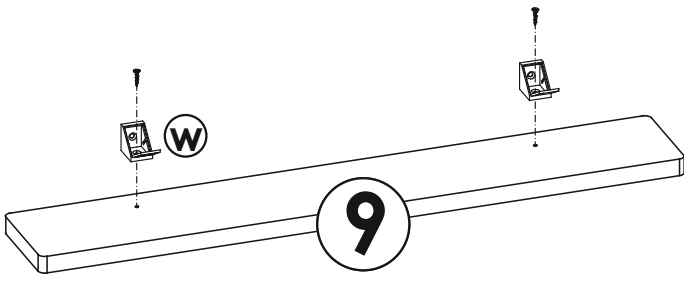
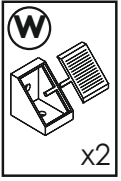
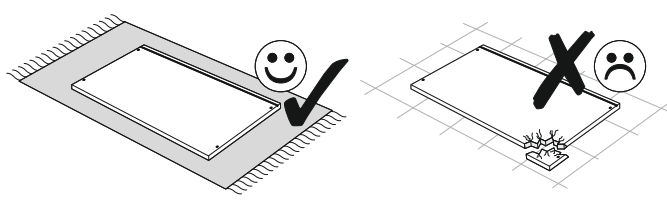
8



9



10



11  
▼

