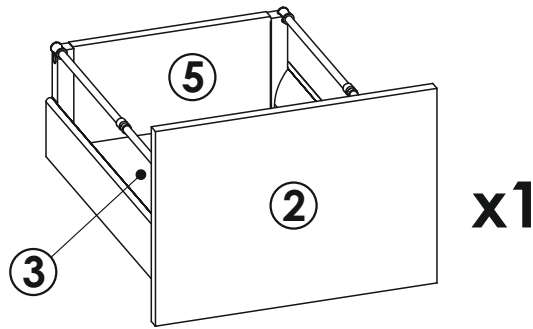
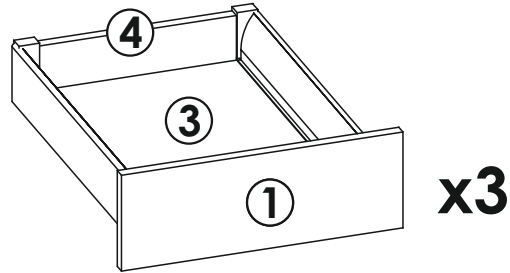
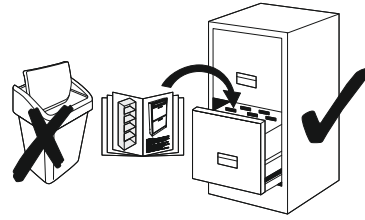
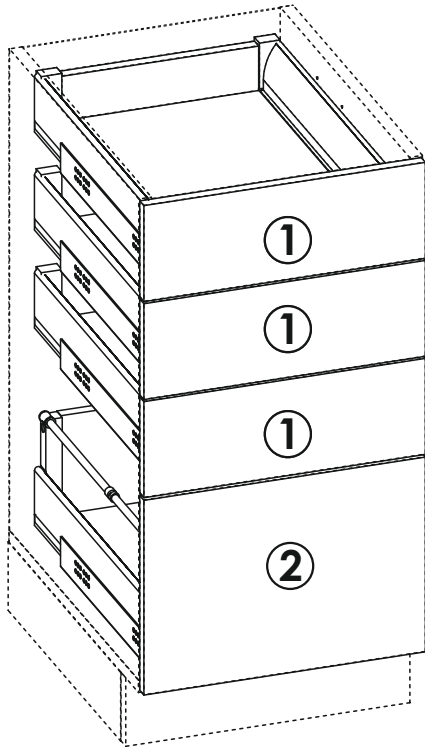


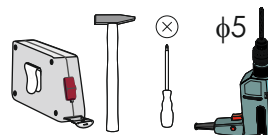
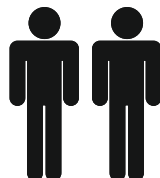
KPL SZUF D4E 40



c1 Euro 4x13 x...(x16)	c2 Euro 5x13 x...(x28)	d5 x...(x4)	i5 3,5x30 x...(x16)	i6 3,5x40 x...(x4)	it0 x...(x4)	it1 x...(x4)	it2 x...(x8)	it3 x...(x3)
it4 x...(x3)	it5 x...(x1)	it6 x...(x1)	it7 x...(x2)	it8 x...(x2)	n2 3,5x16 x...(x26)	p0 ø5 x...(x8)	p14 ø10 x...(x2)	



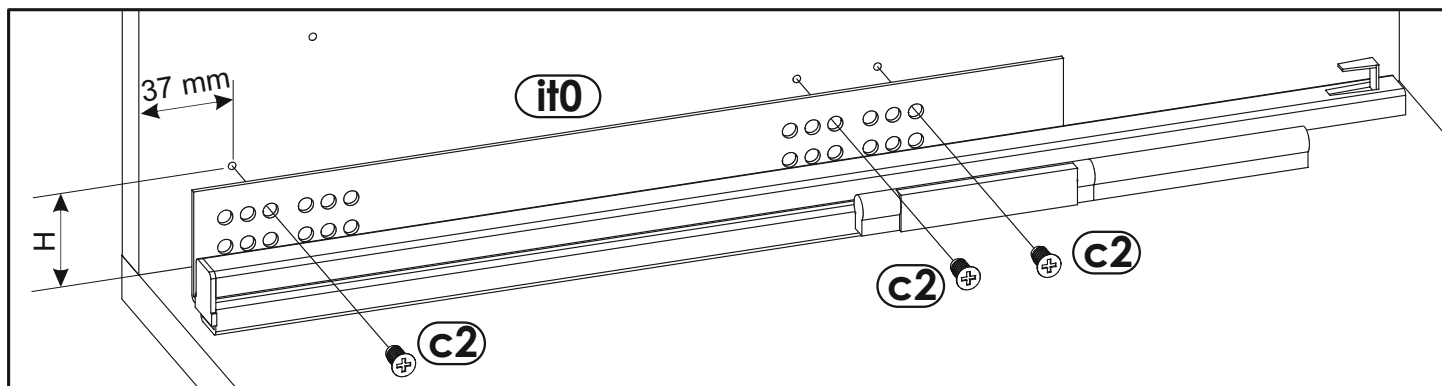
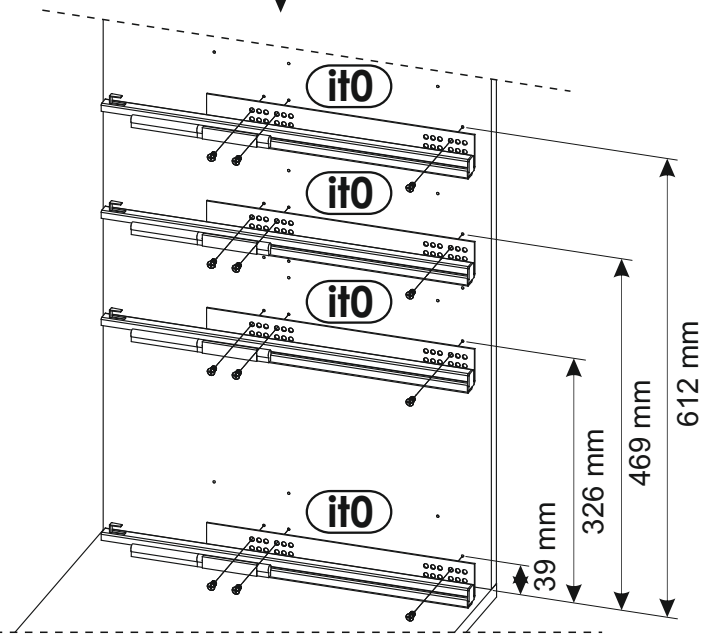
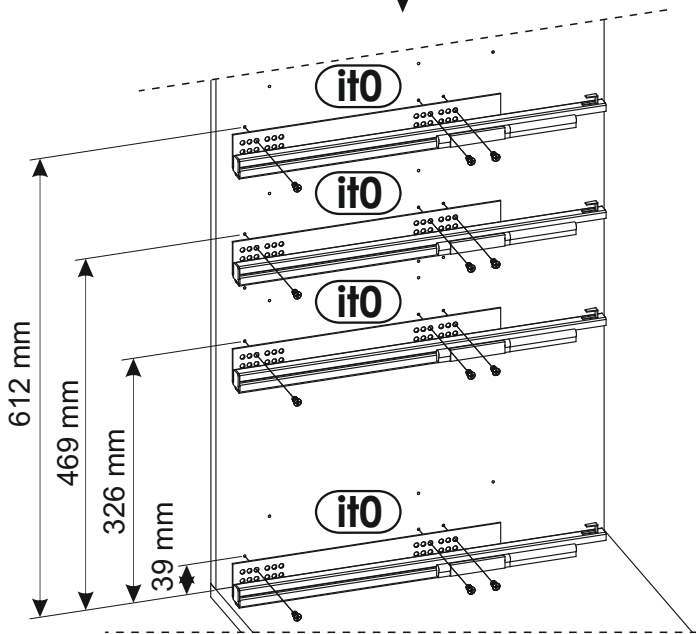
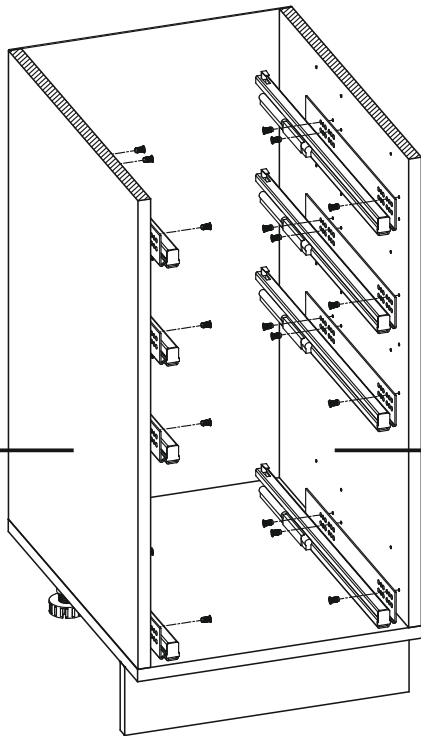
- ③ -C1
- ④ -C1
- ⑤ -C1
- ① -F1
- ② -F1



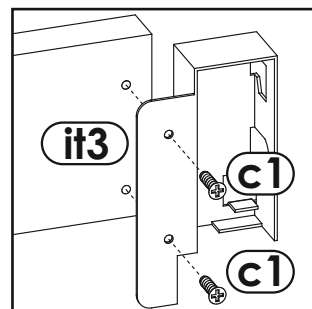
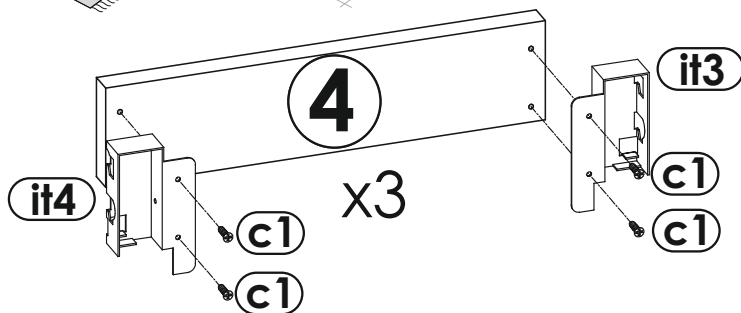
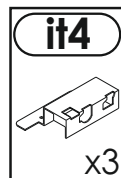
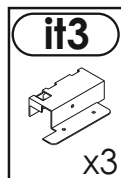
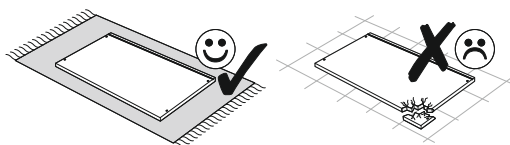
1

c2
Euro 5x13
x24

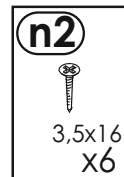
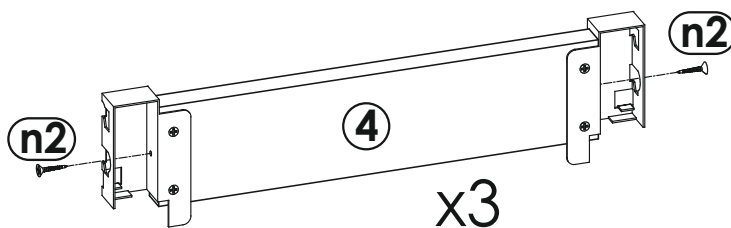
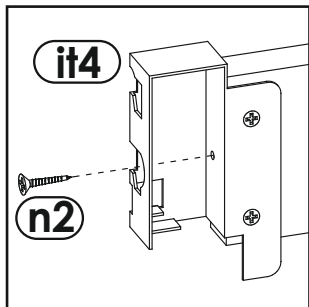
it0
x4



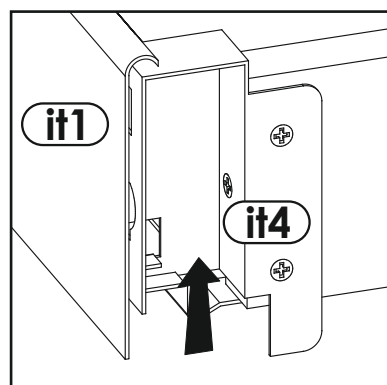
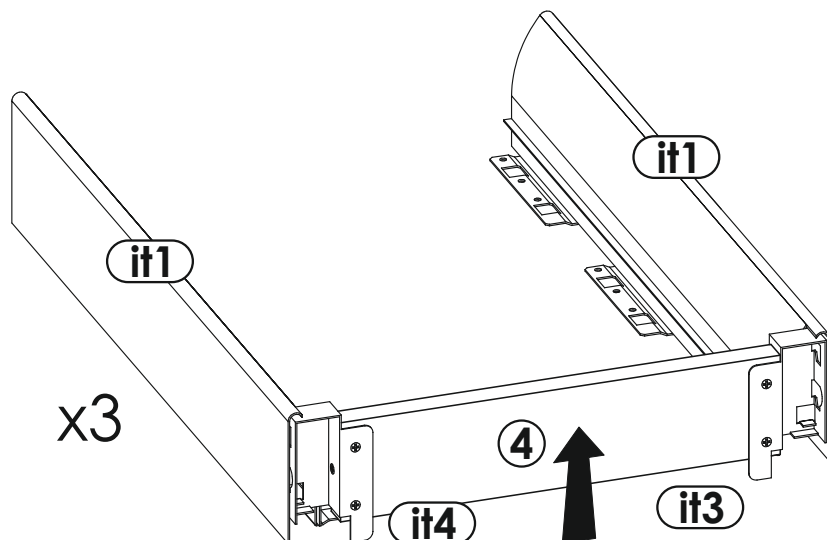
2



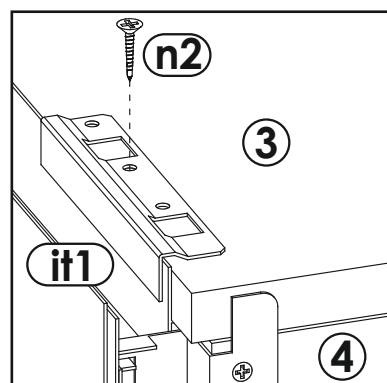
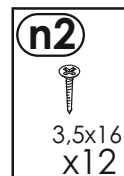
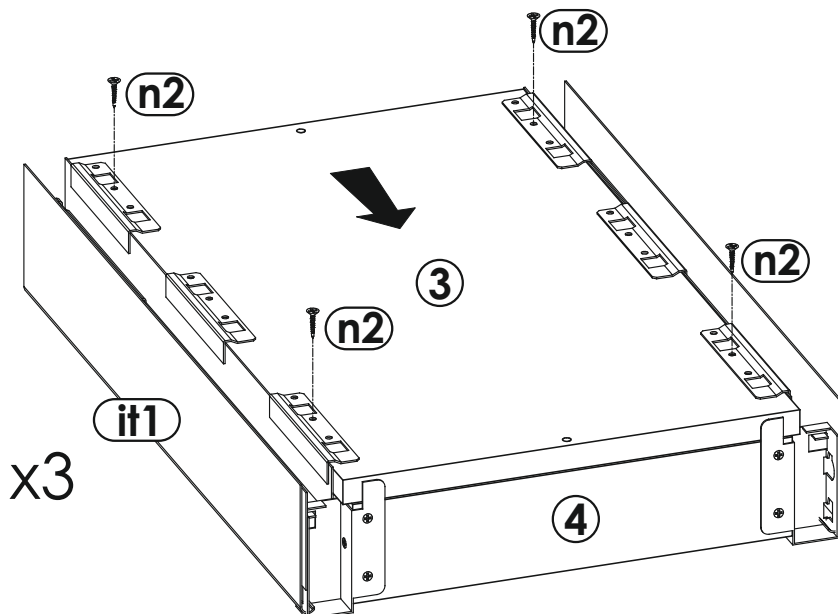
3

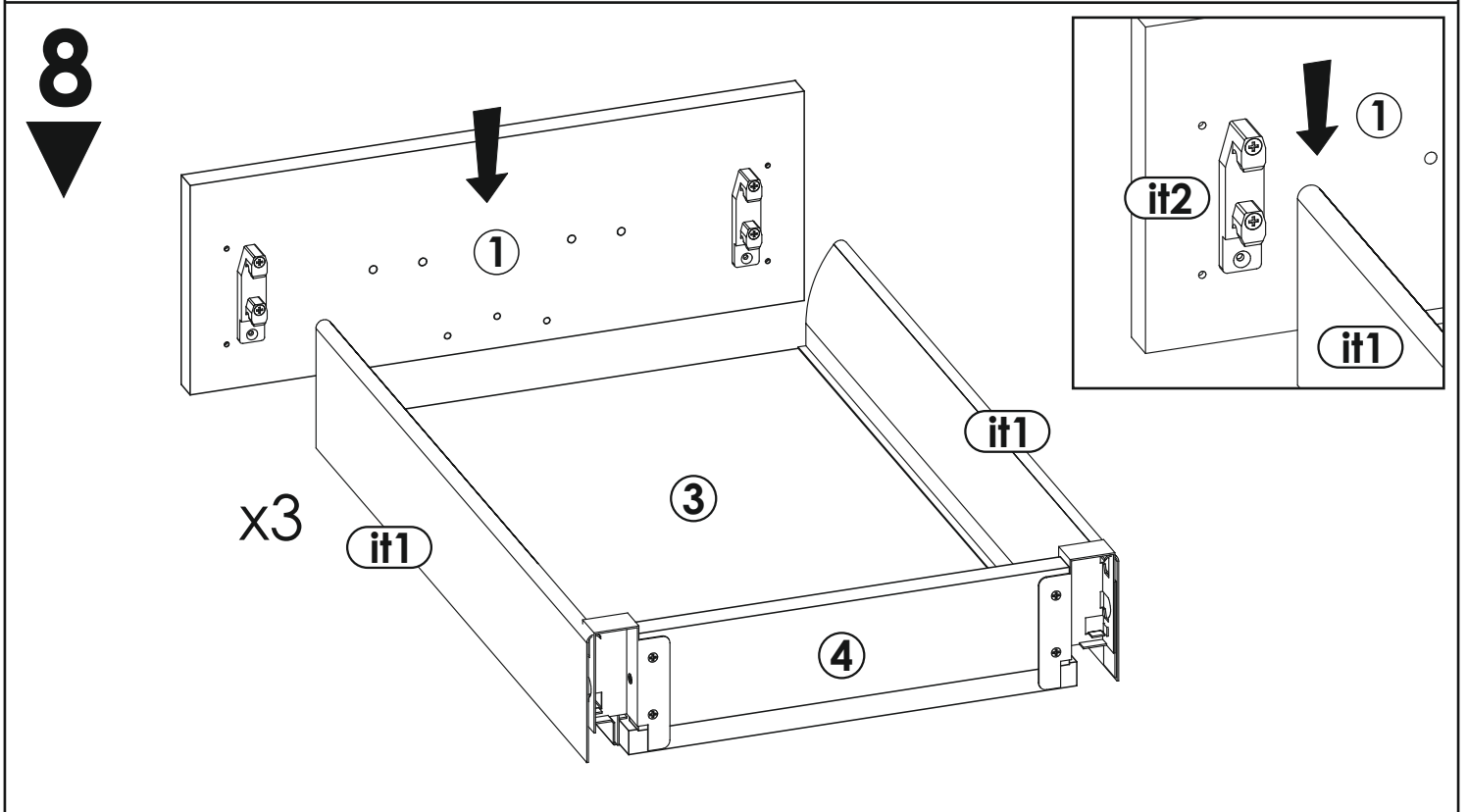
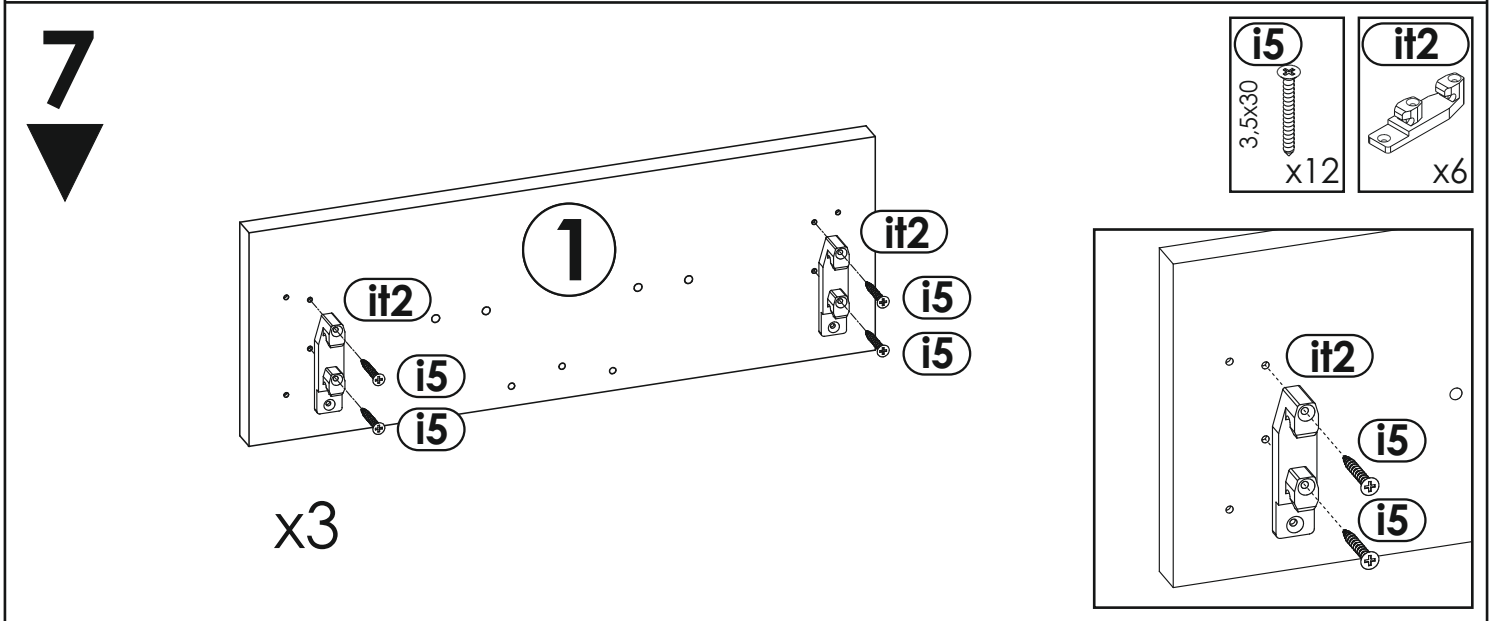
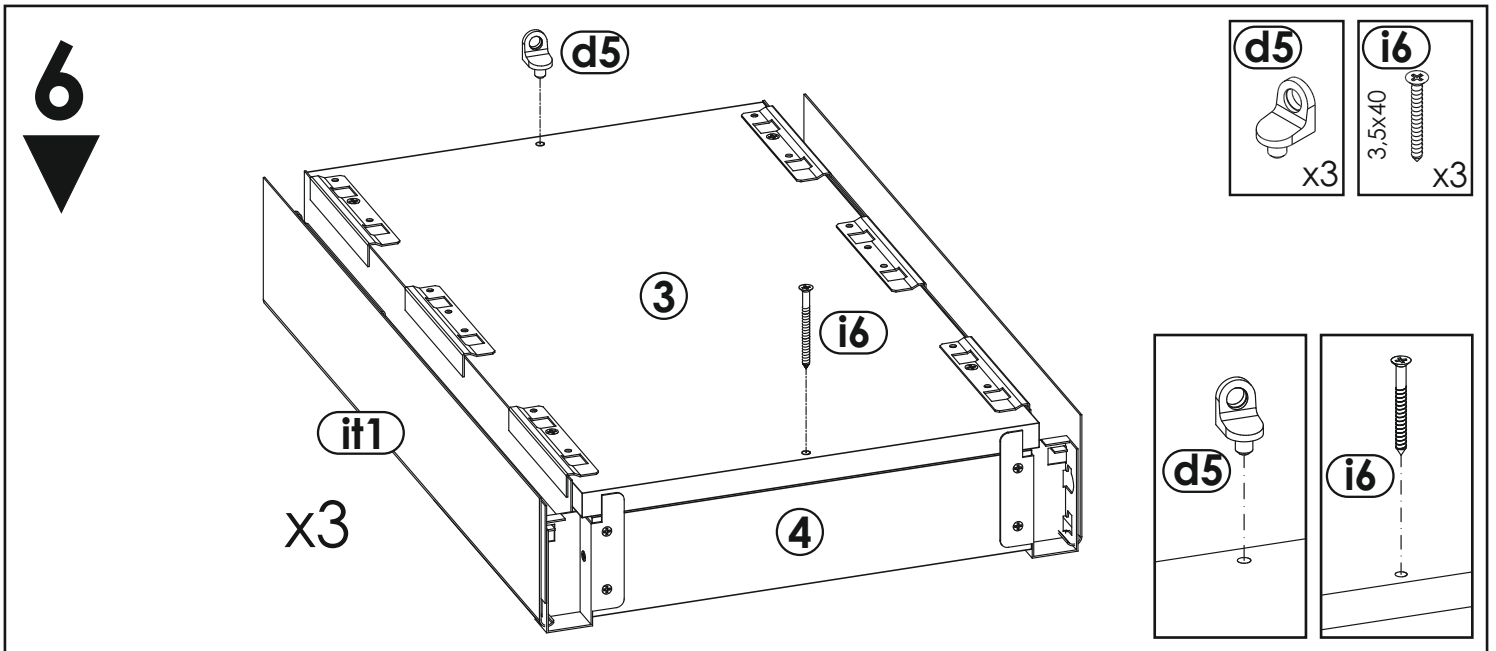


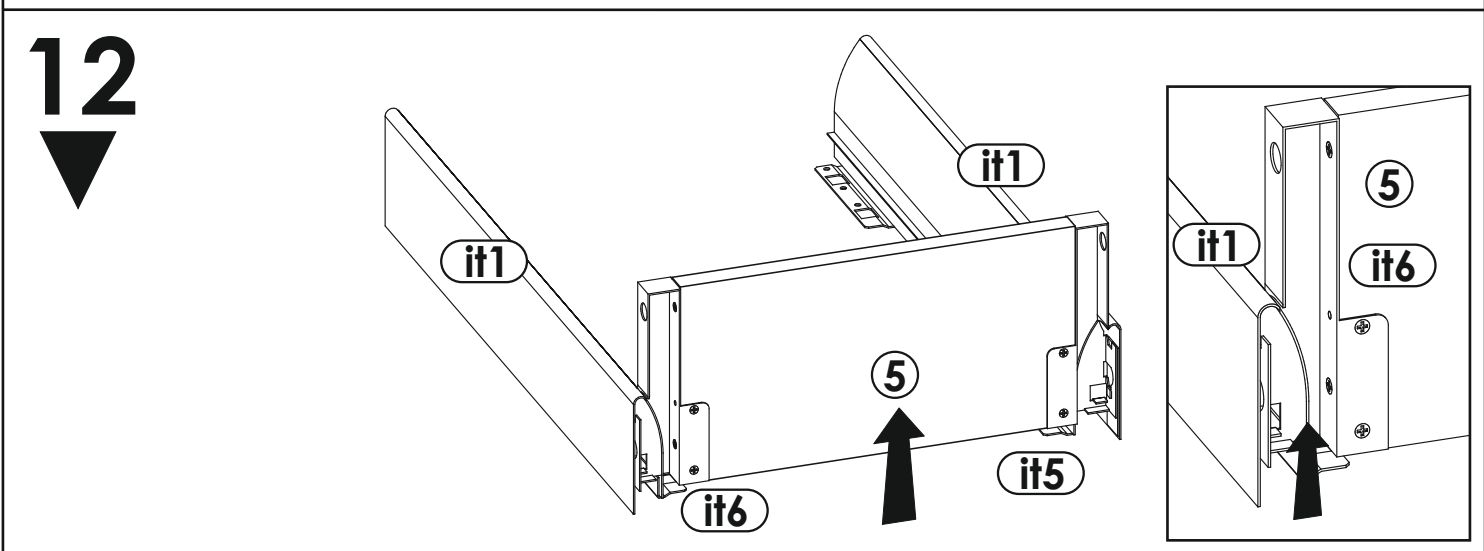
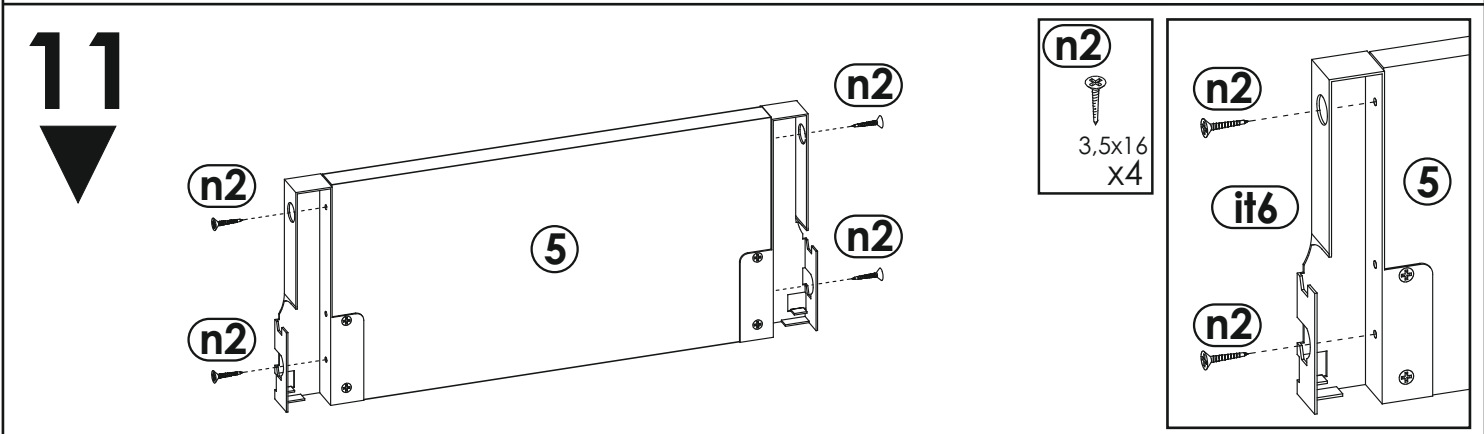
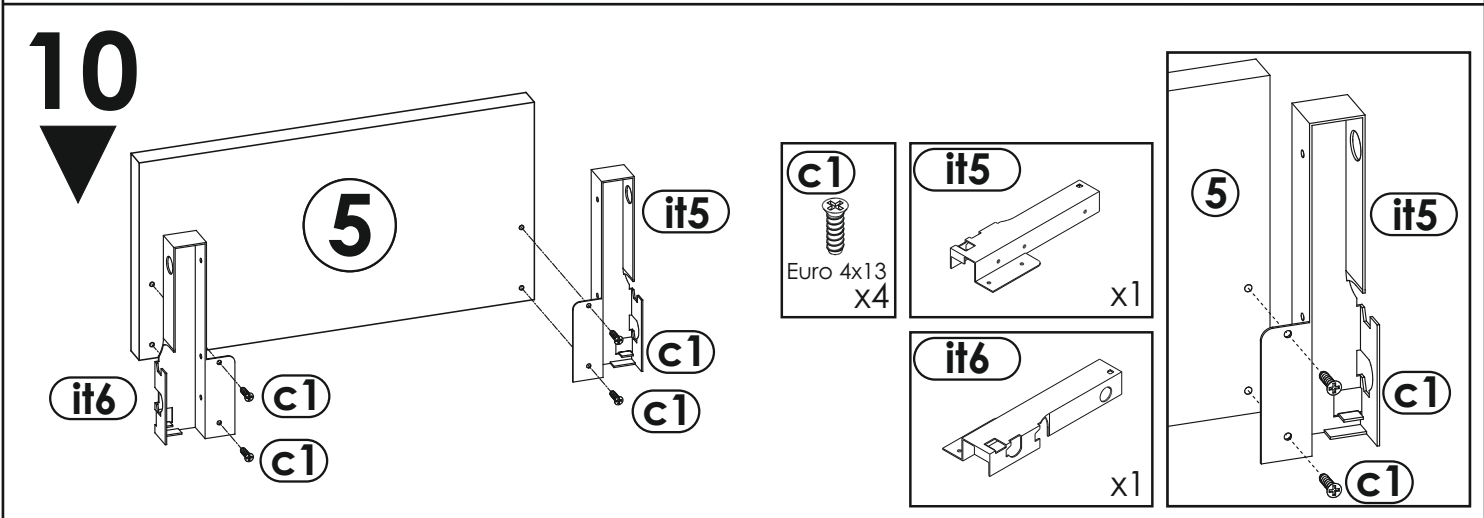
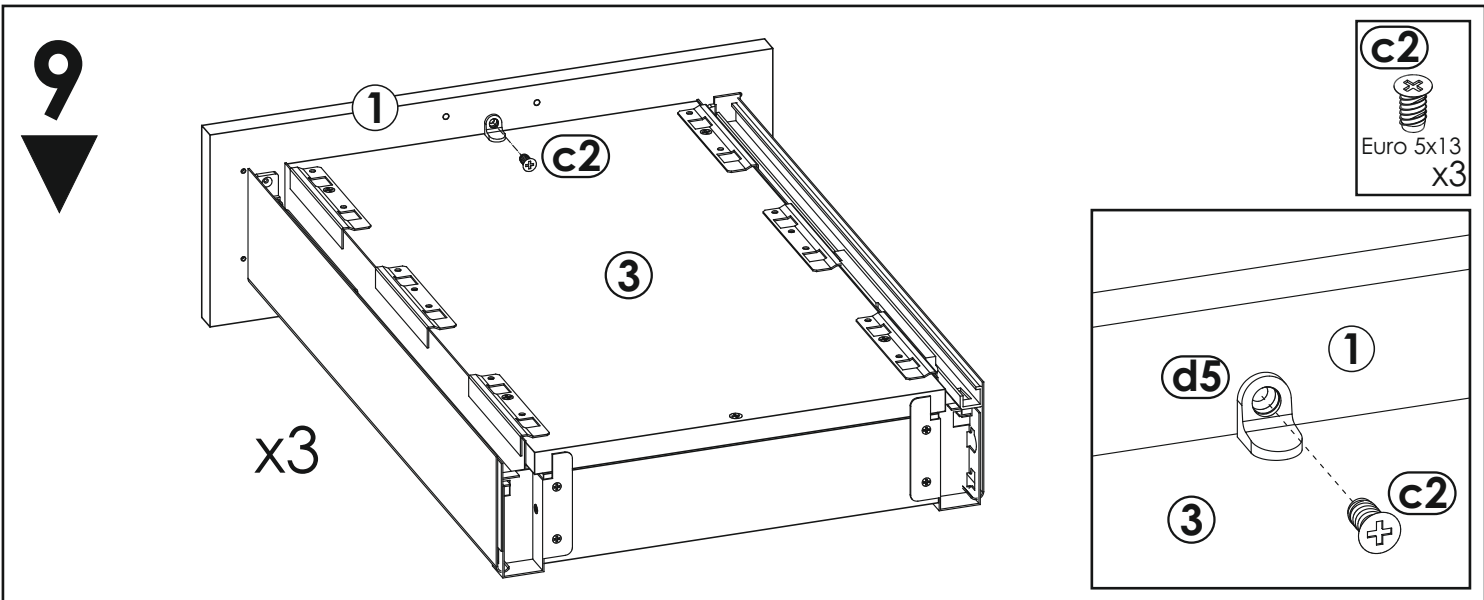
4



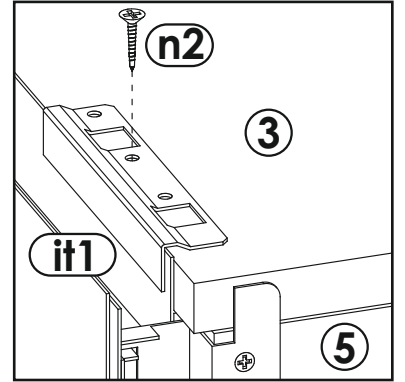
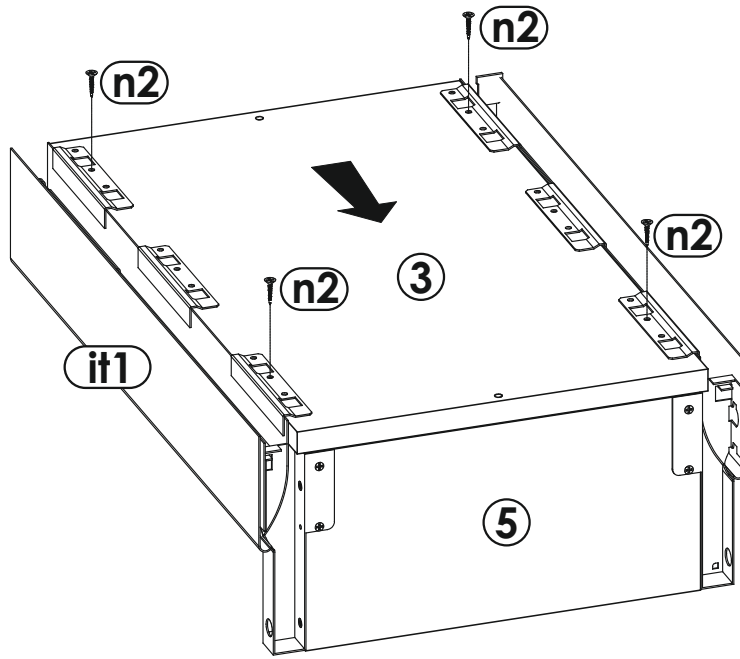
5



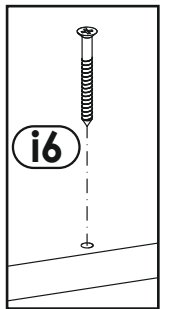
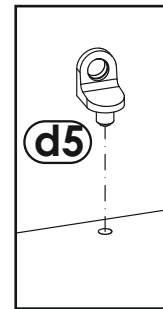
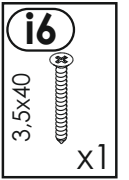
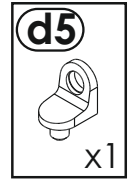
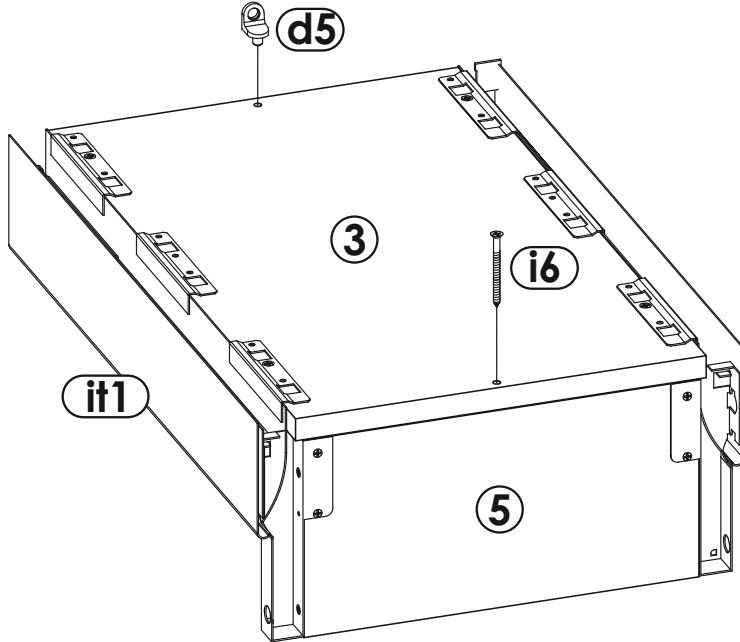




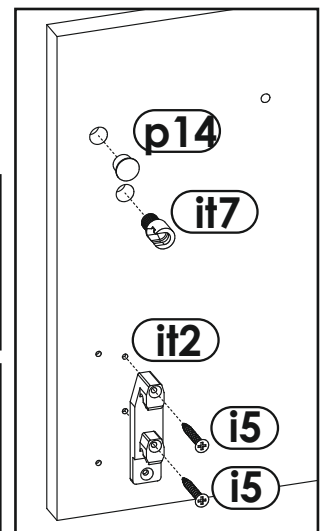
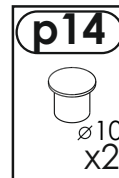
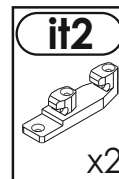
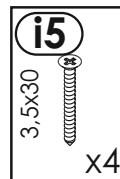
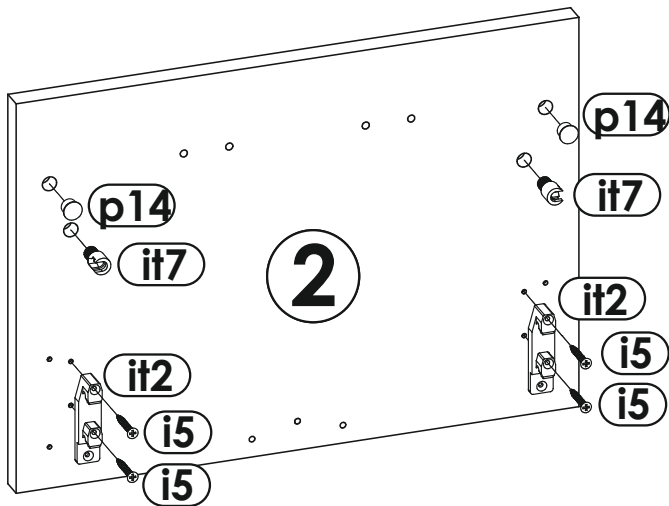
13



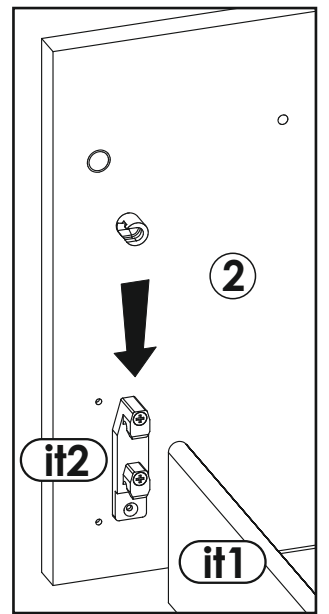
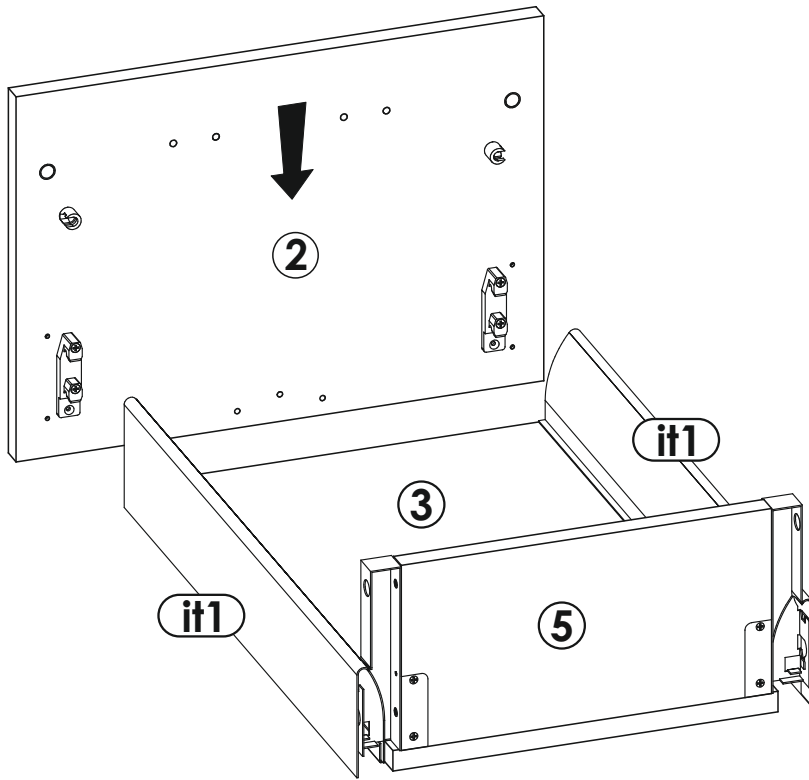
14



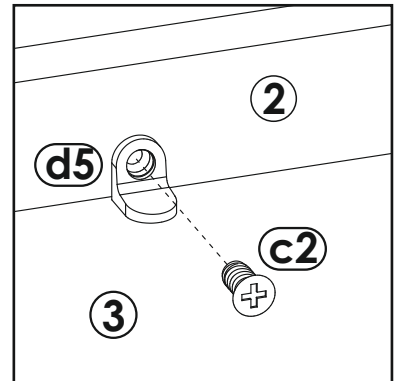
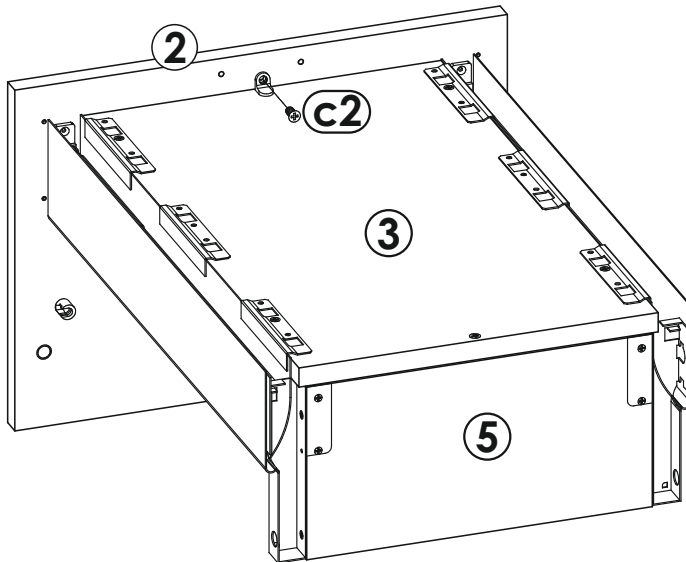
15



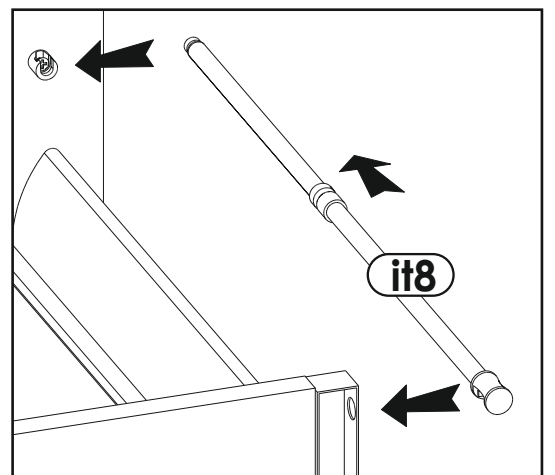
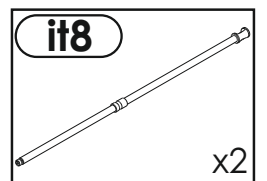
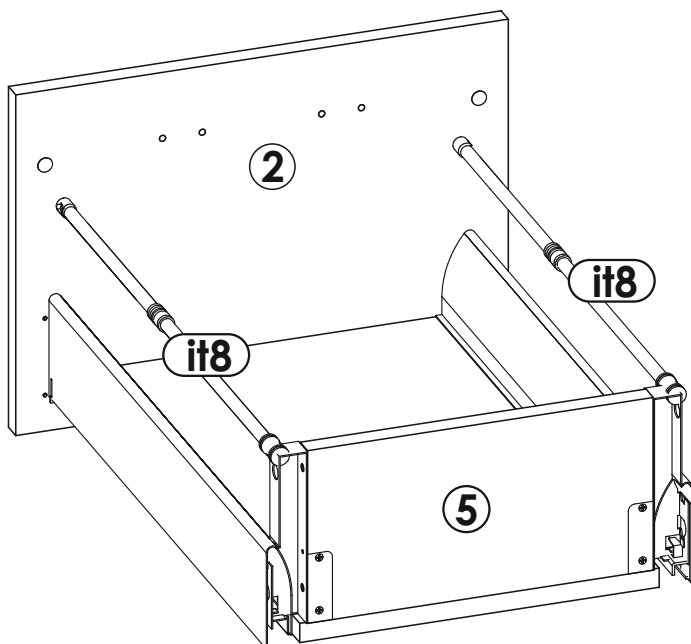
16
▼



17
▼

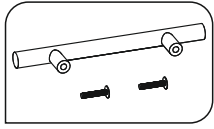
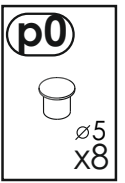
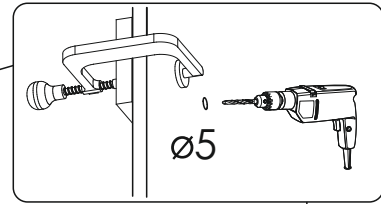
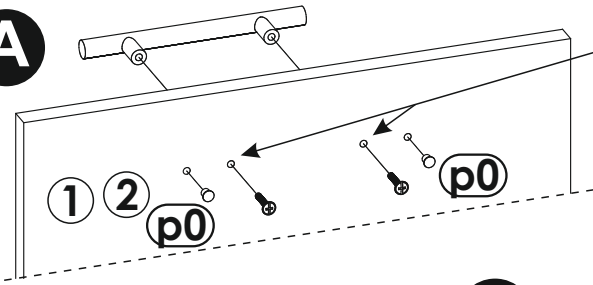


18
▼

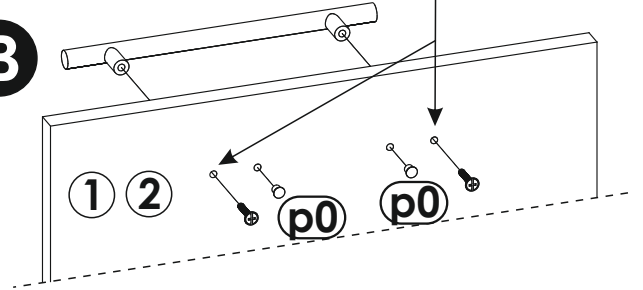


19
▼

A



B



20
▼

