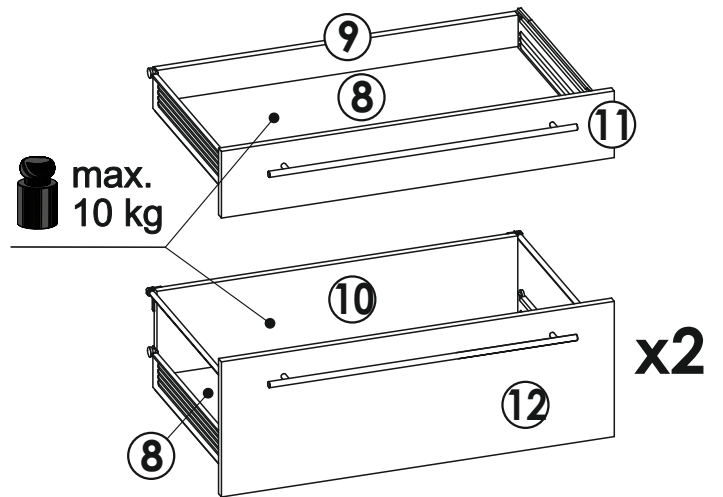
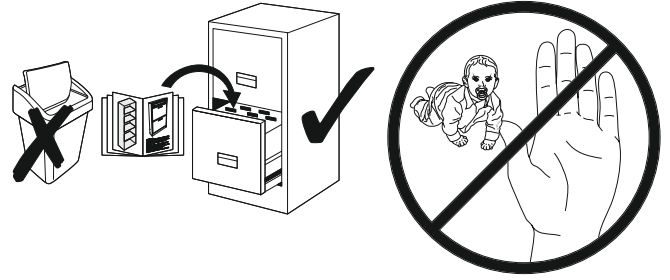
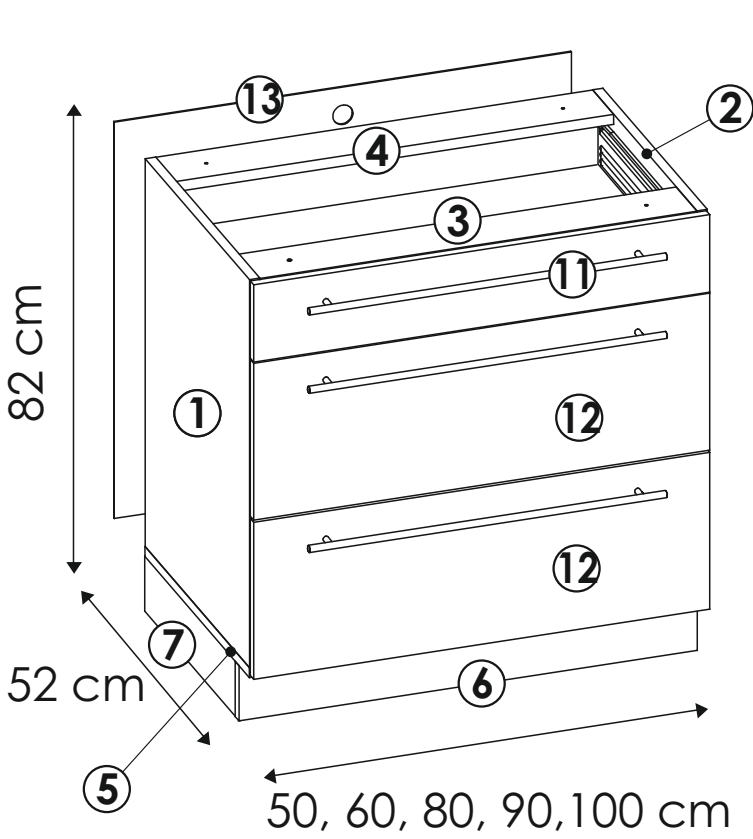
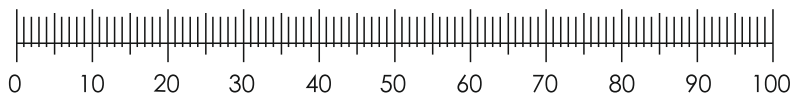
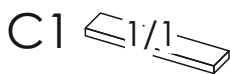


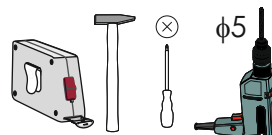
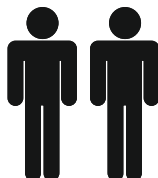
D3M 50, 60, 80, 90, 100



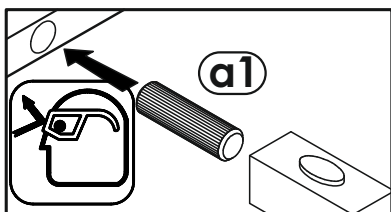
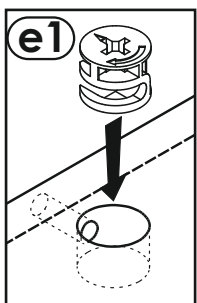
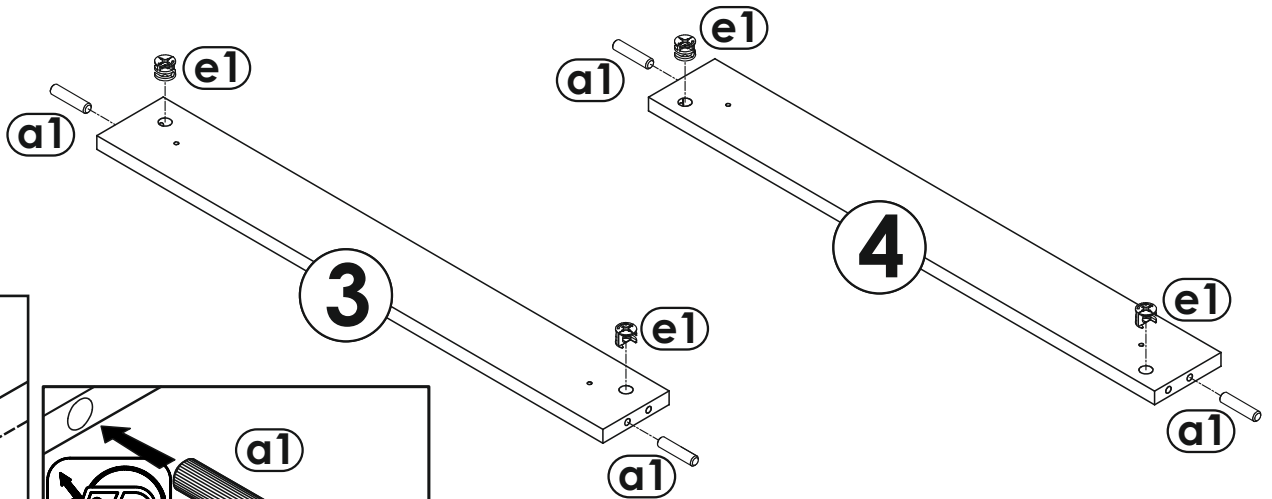
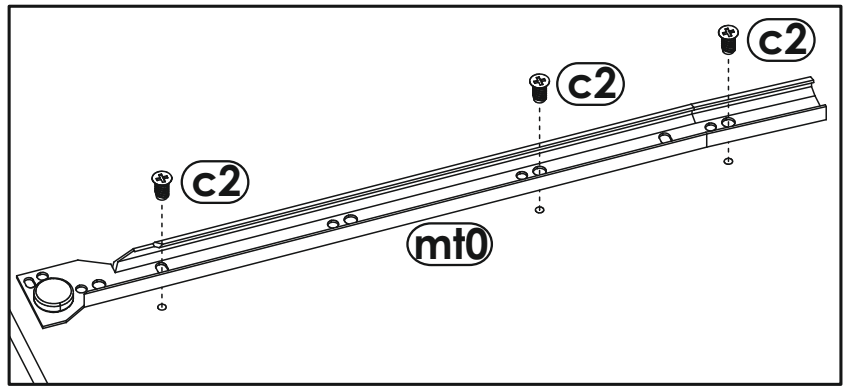
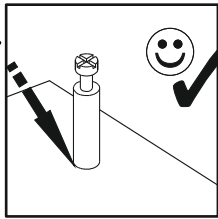
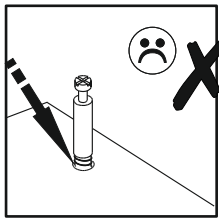
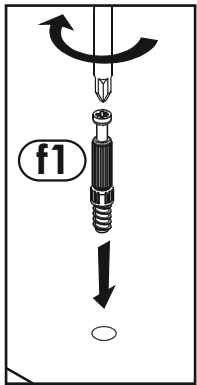
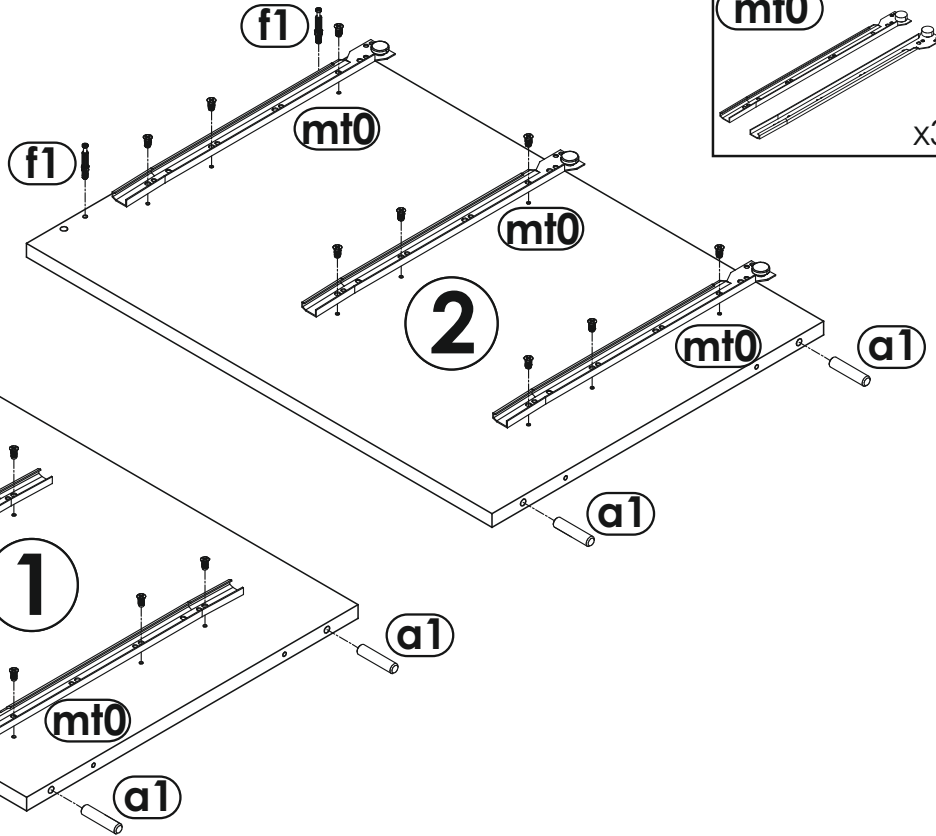
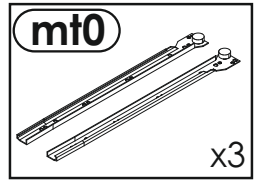
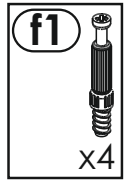
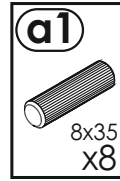
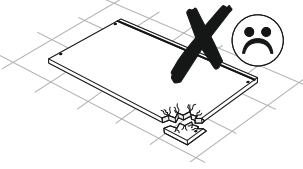
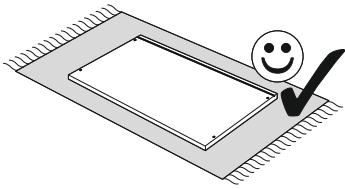
a1 8x35 x...(x8)	c2 Euro 5x13 x...(x56)	d5 x...(x6)	e0 x...(x4)	e1 x...(x4)	f1 x...(x4)				
g1 x...(x4)	h1 x...(x3)	i5 3,5x30 x...(x4)	i6 3,5x40 x...(x6)	k3 4x22 x...(x6)	mt0 x...(x3)	mt1 x...(x3)			
m x...(x1)	mt2 right x...(x3)	mt3 left x...(x3)	mt4 x...(x4)	mt5 x...(x4)	n1 3x16 x...(x30)	n2 3,5x16 x...(x24)	o1 x...(x4)	o2 x...(x4)	w16 x...(x1)

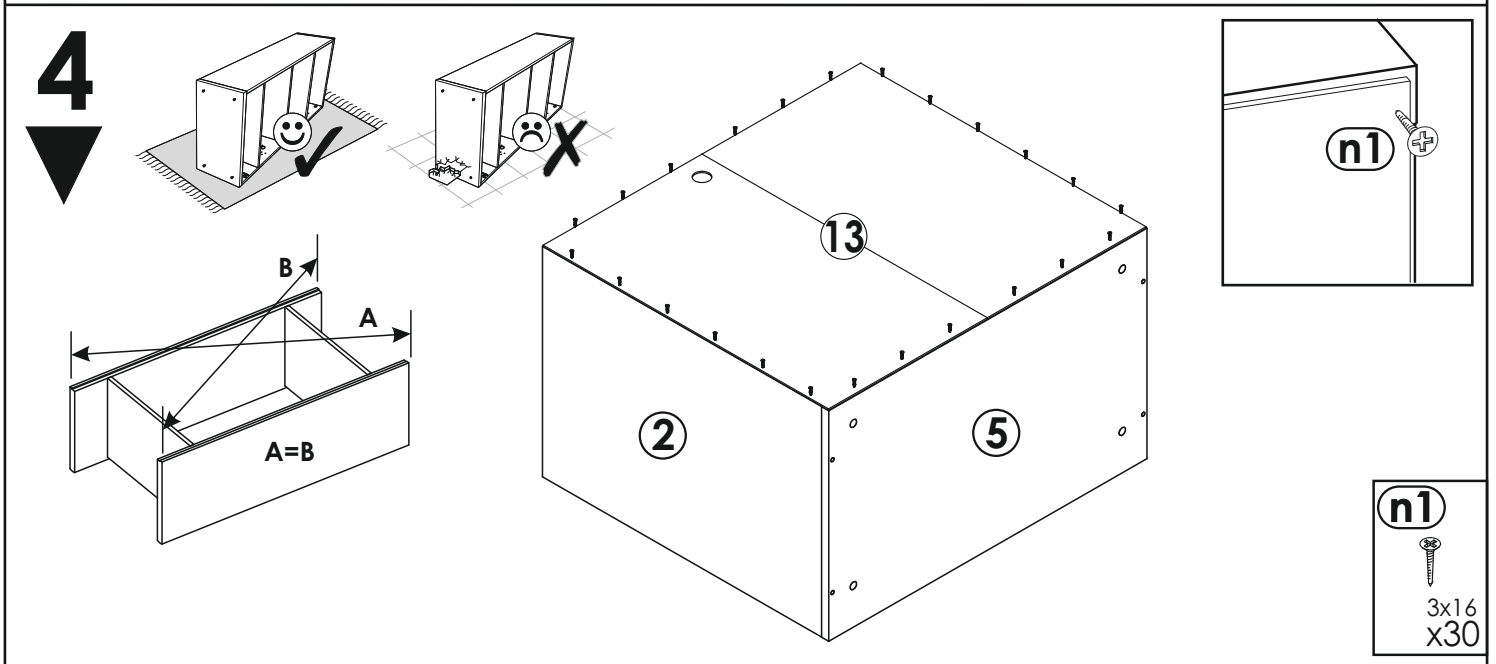
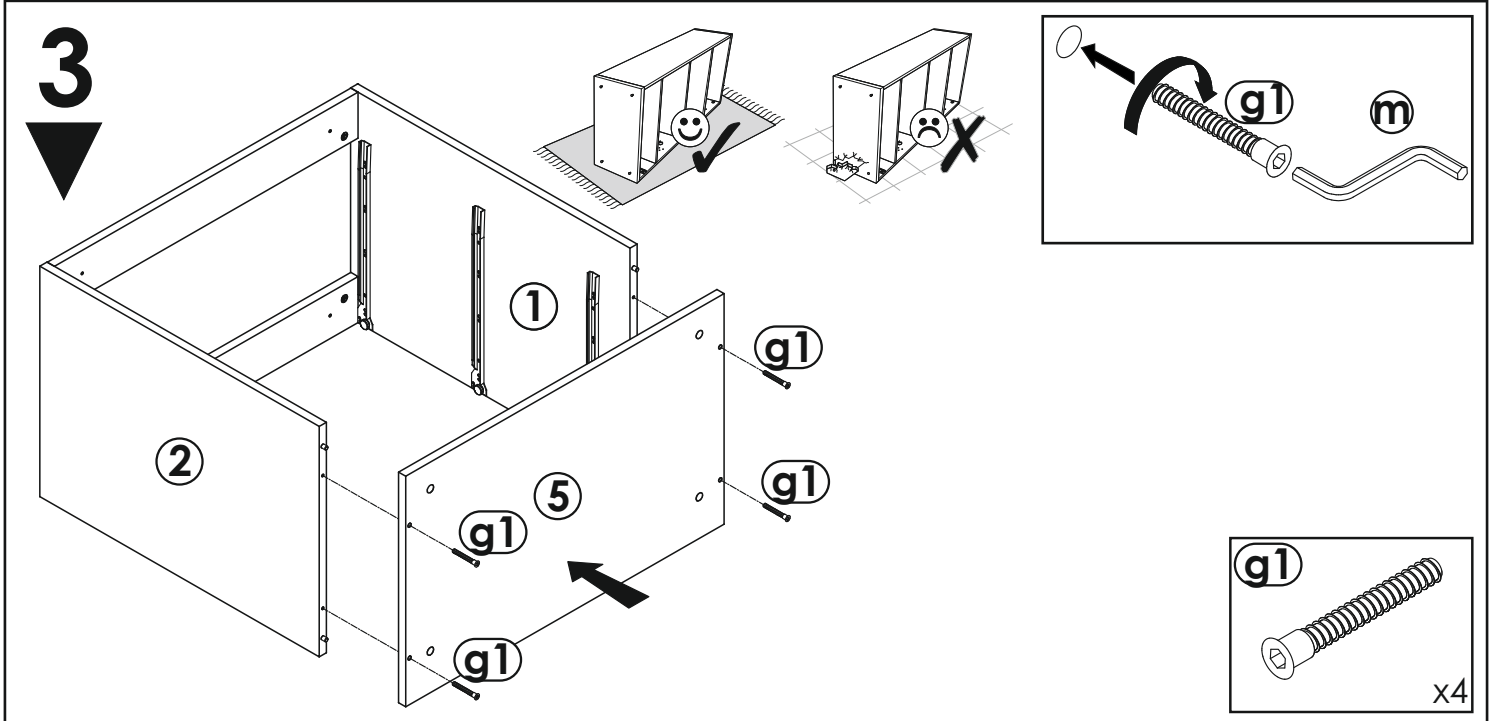
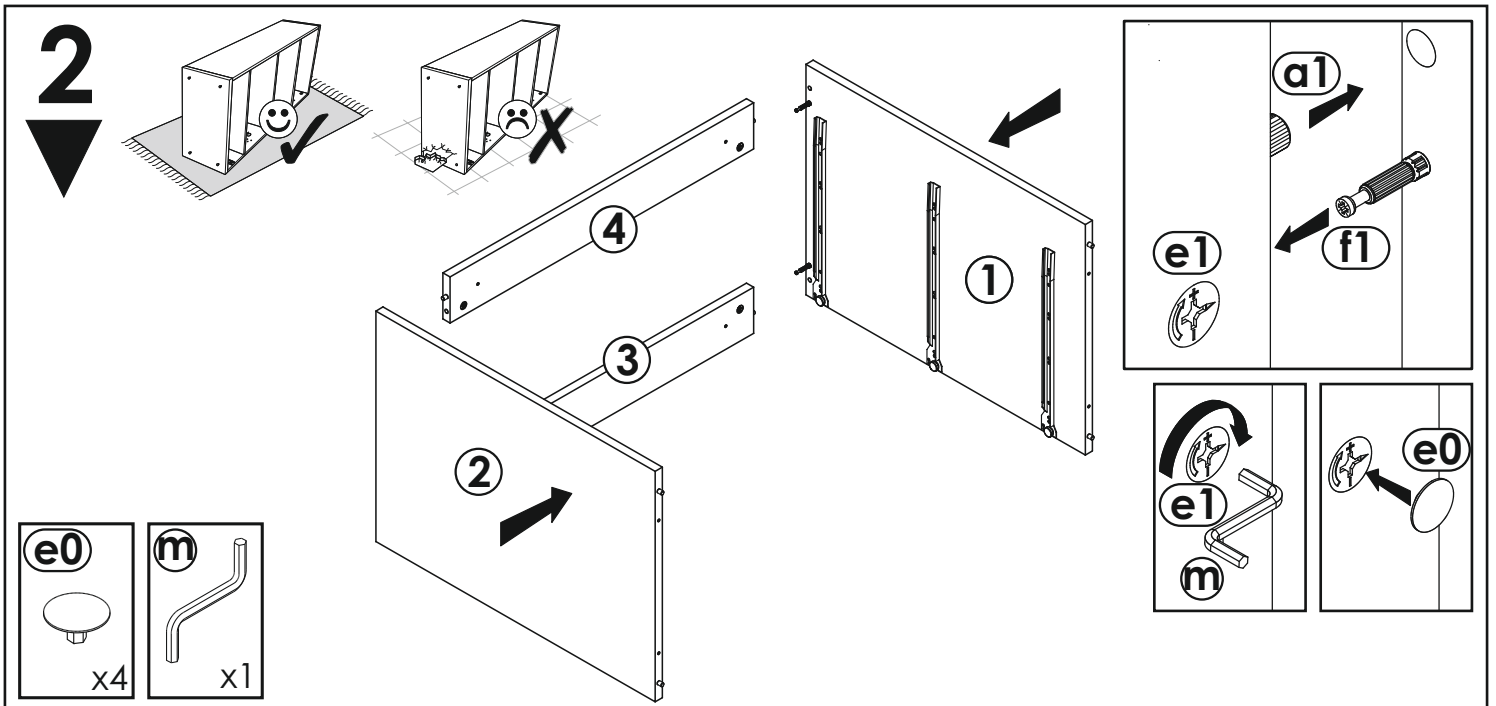


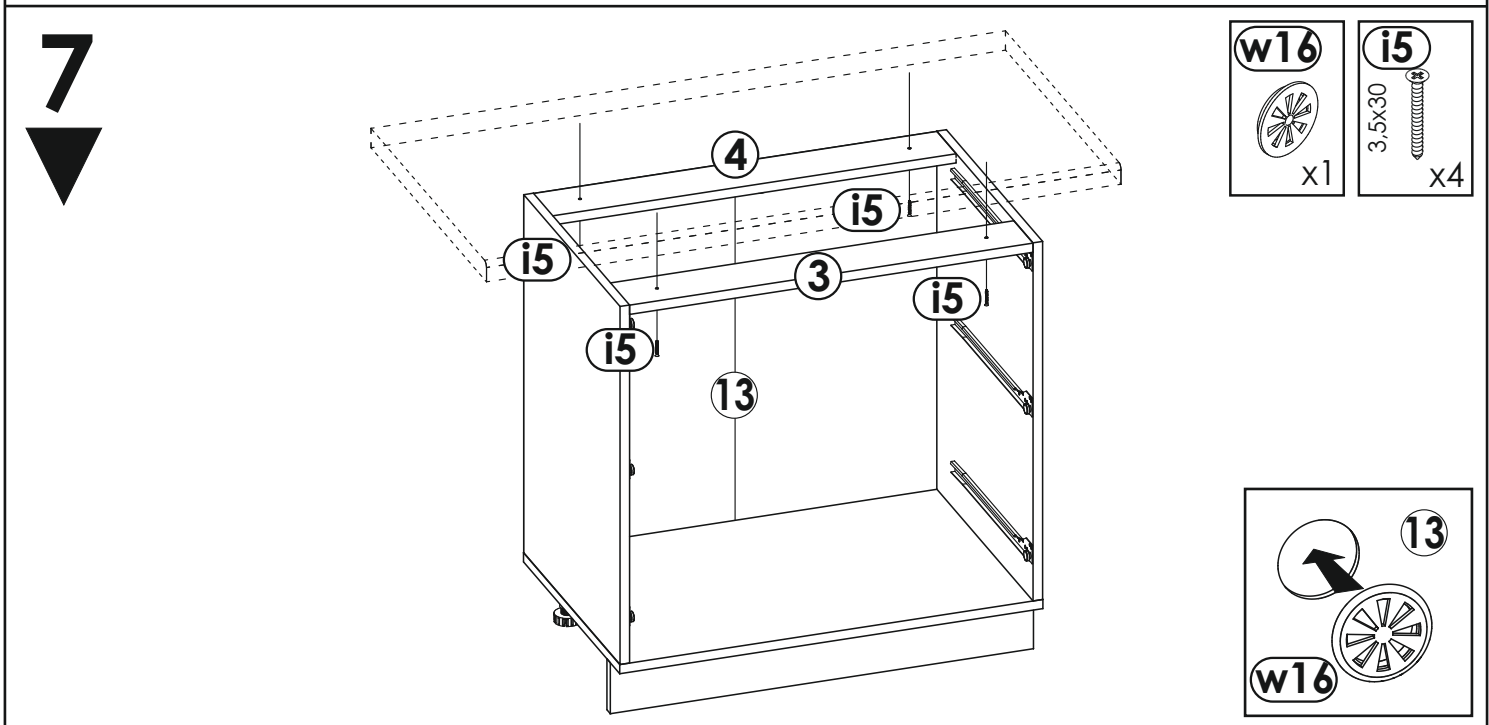
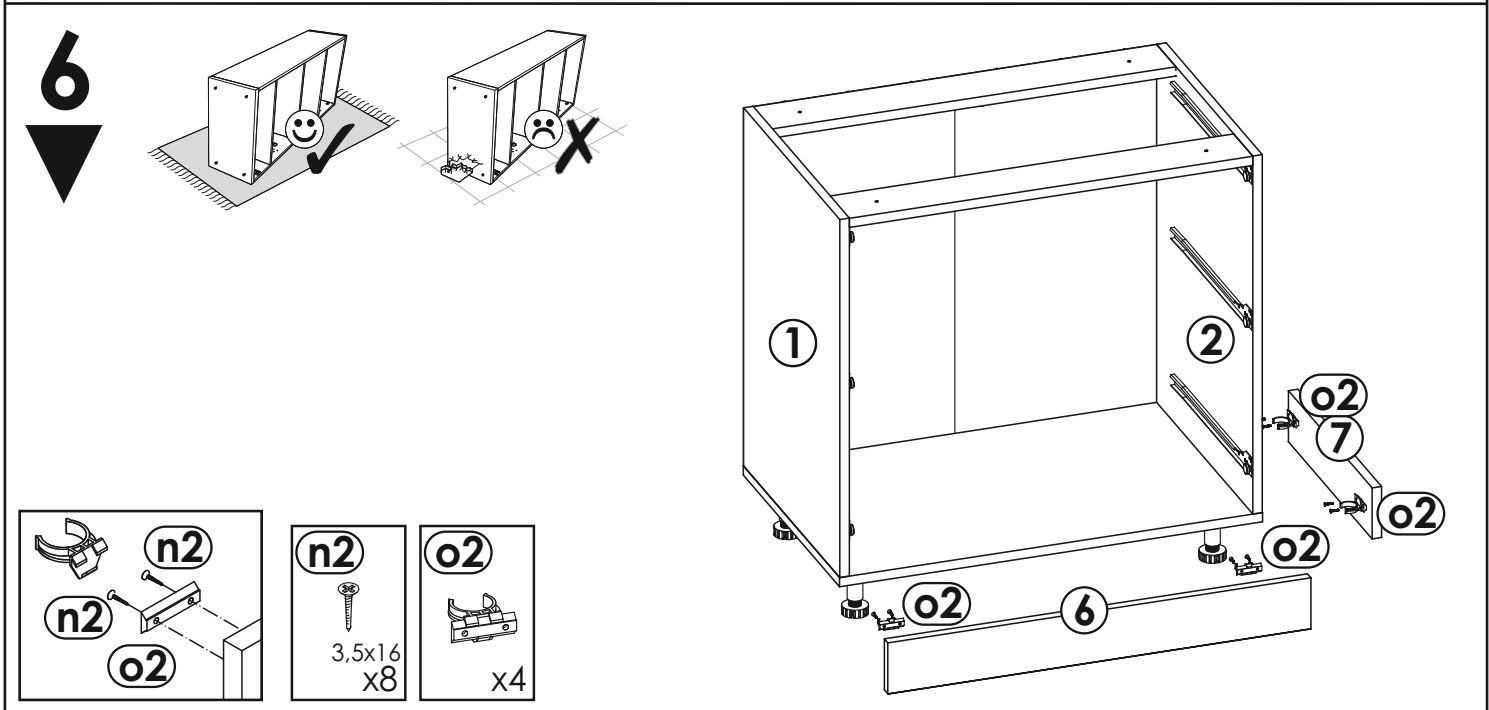
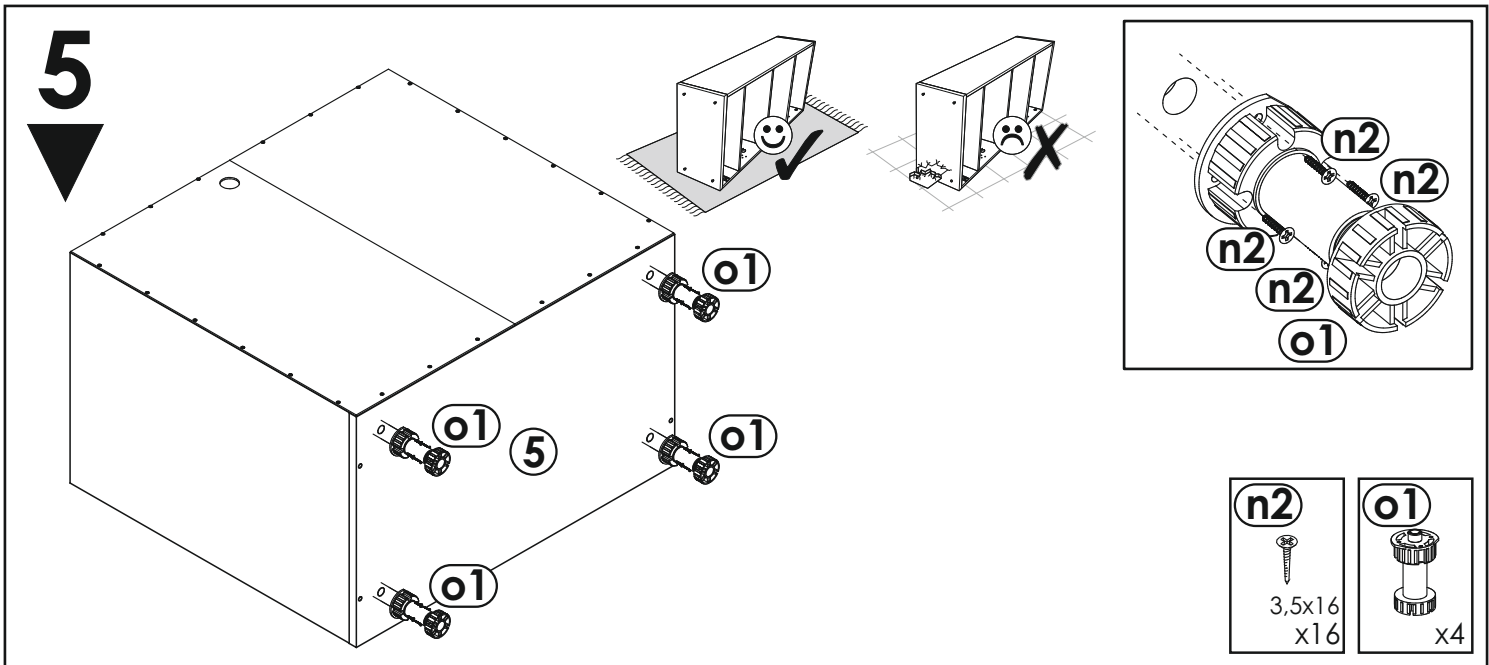
- ① -C1
- ⑥ -C1
- ⑪ -C1
- ② -C1
- ⑦ -C1
- ⑫ -C1
- ③ -C1
- ⑧ -C1
- ⑬ -C1
- ④ -C1
- ⑨ -C1
- ⑤ -C1
- ⑩ -C1

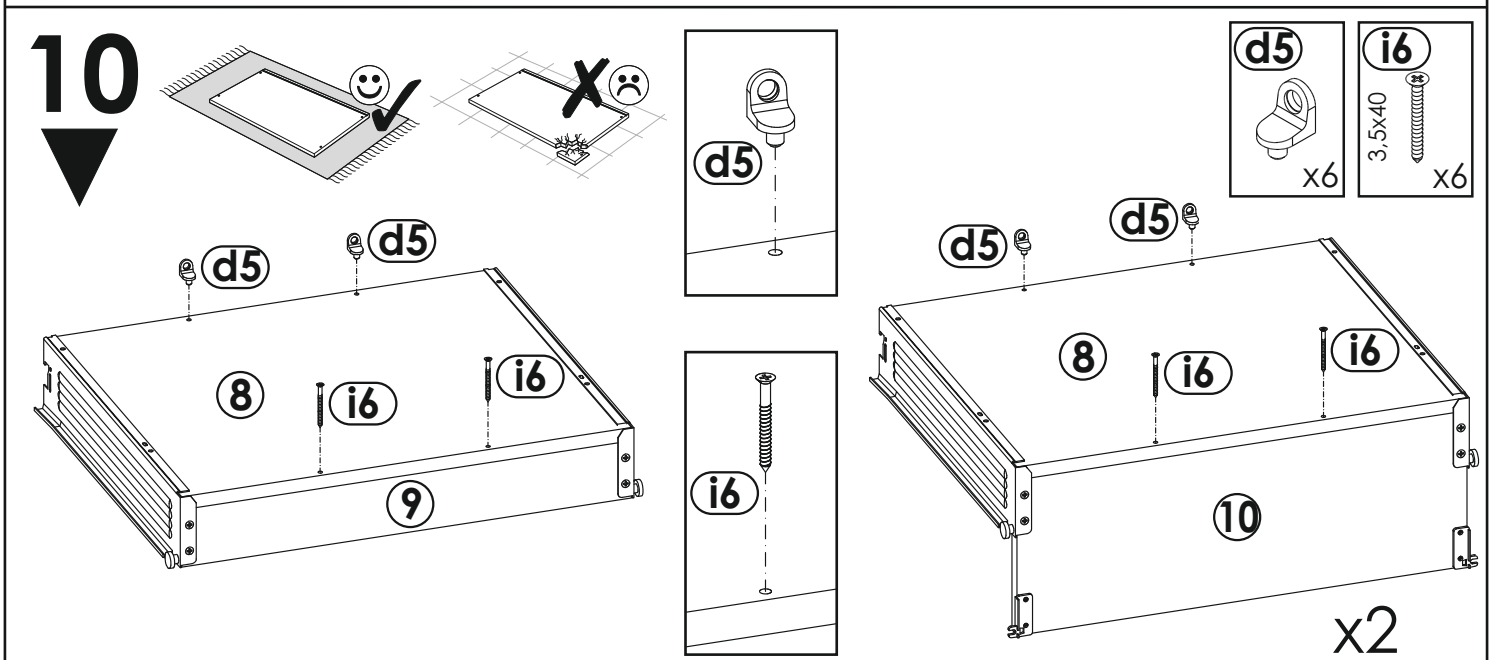
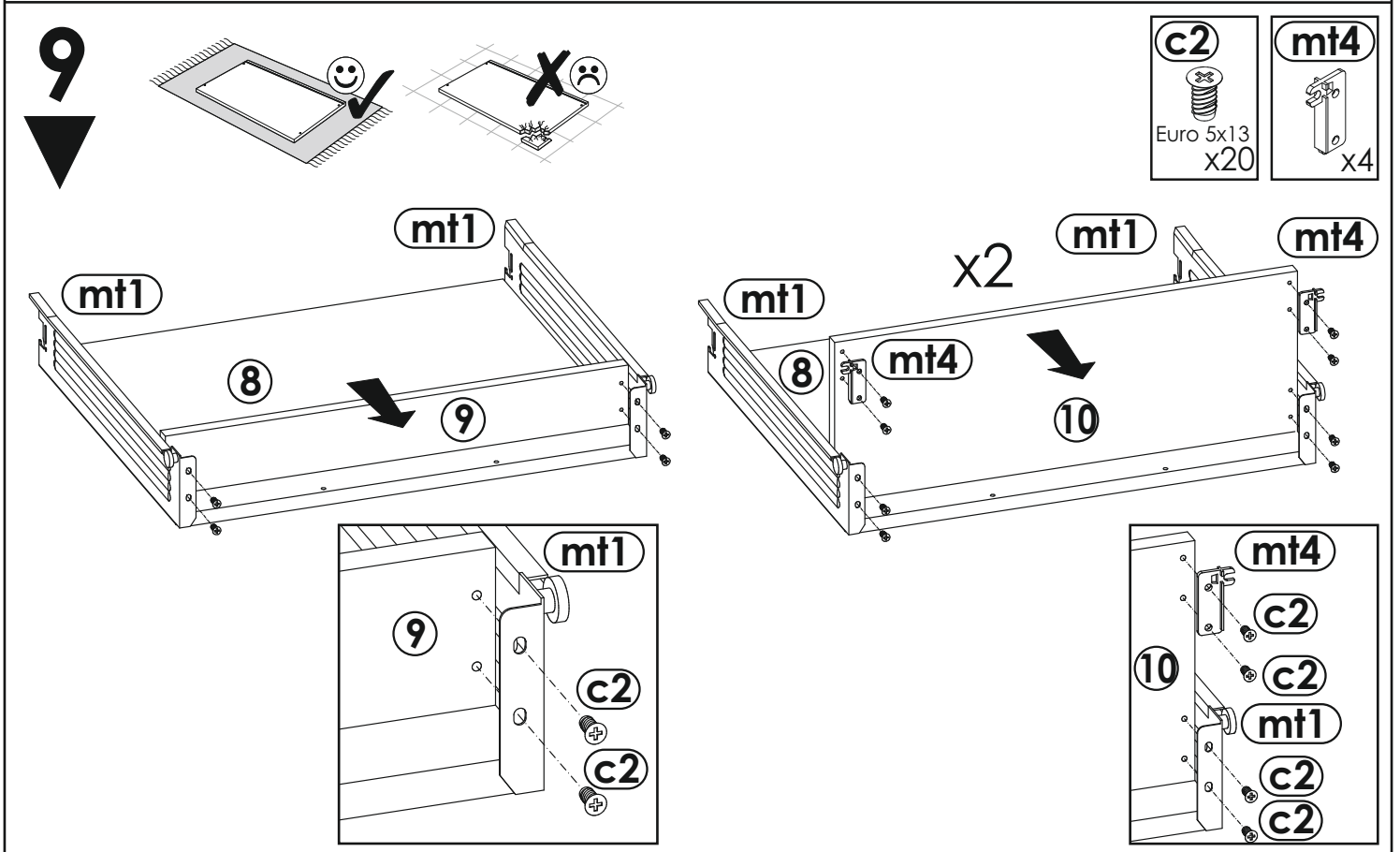
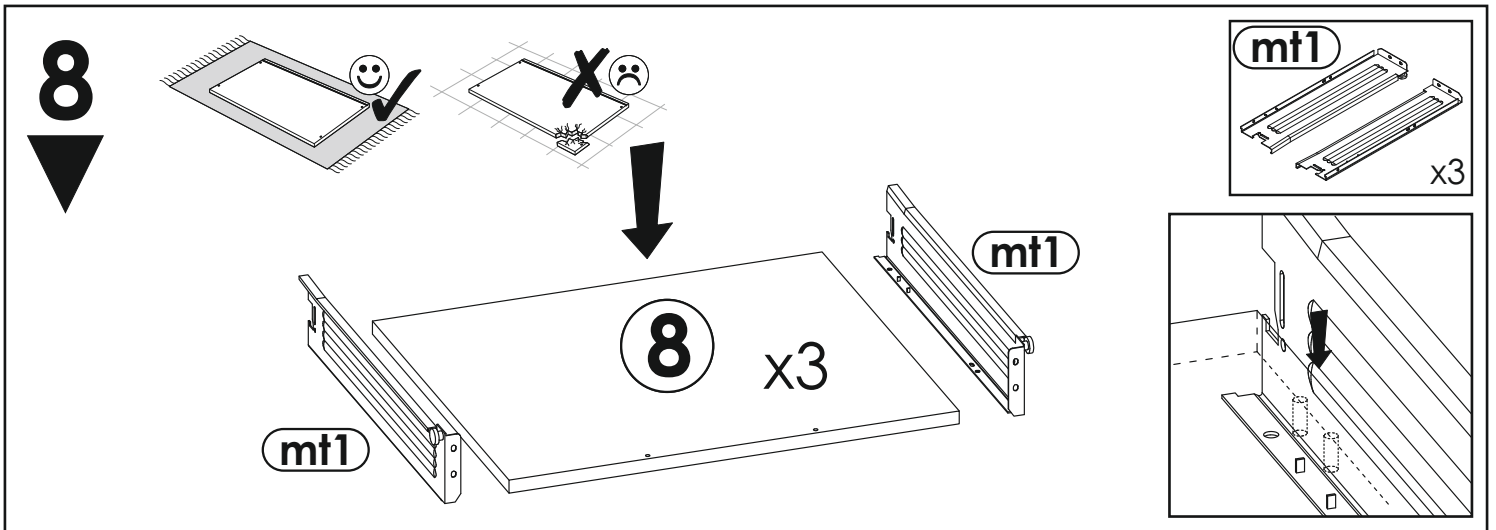


1

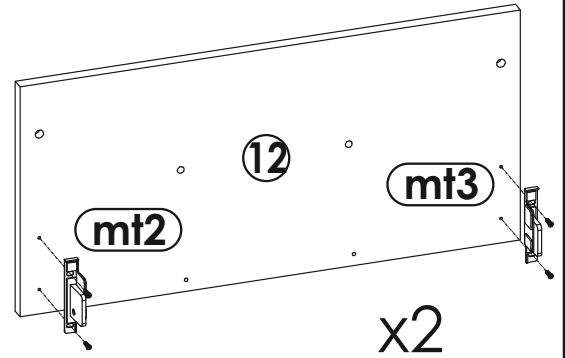
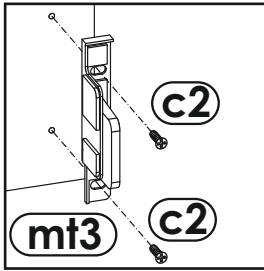
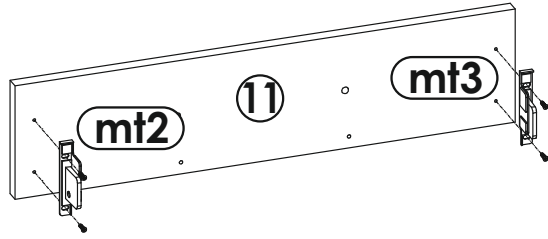
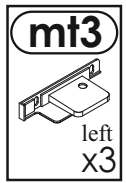
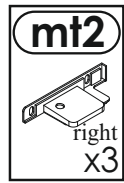
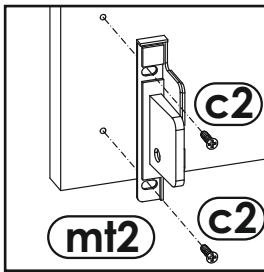
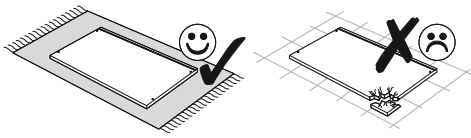




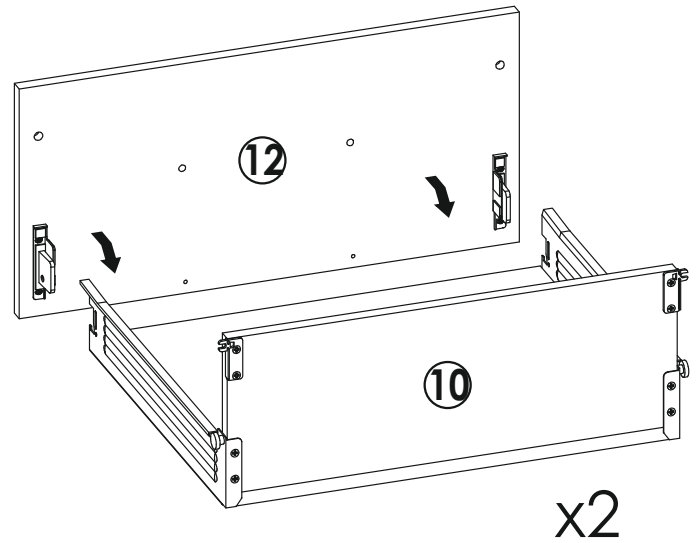
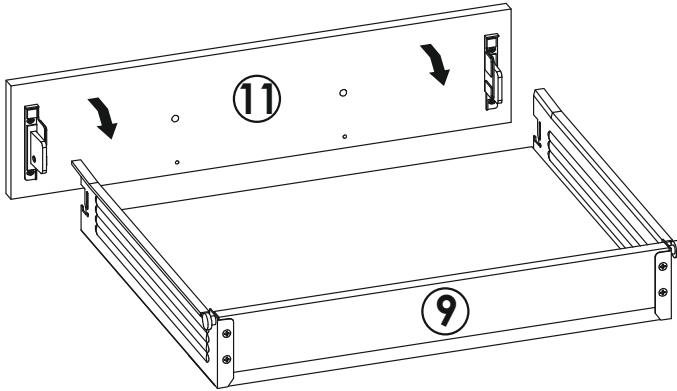
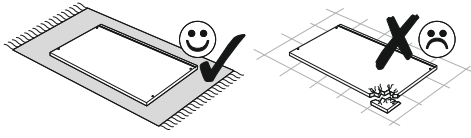




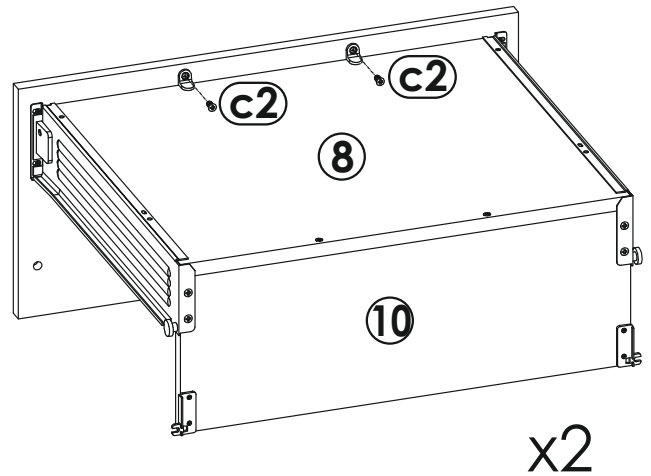
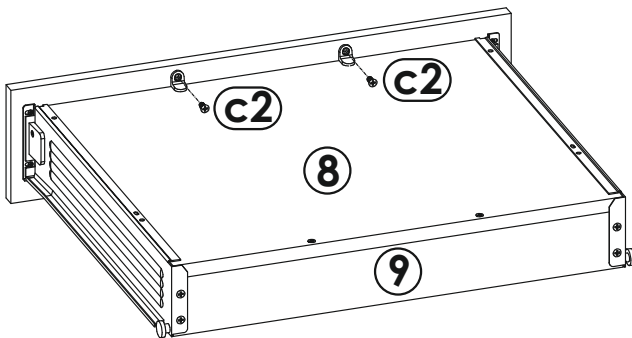
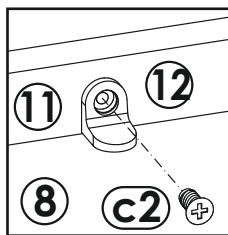
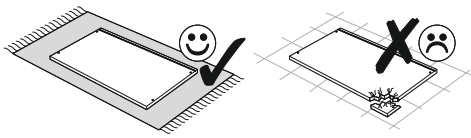
11



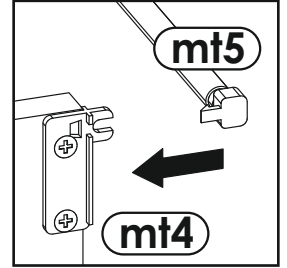
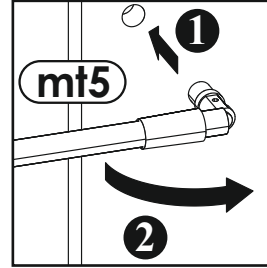
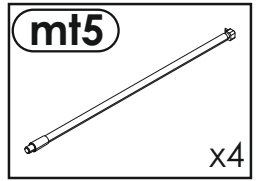
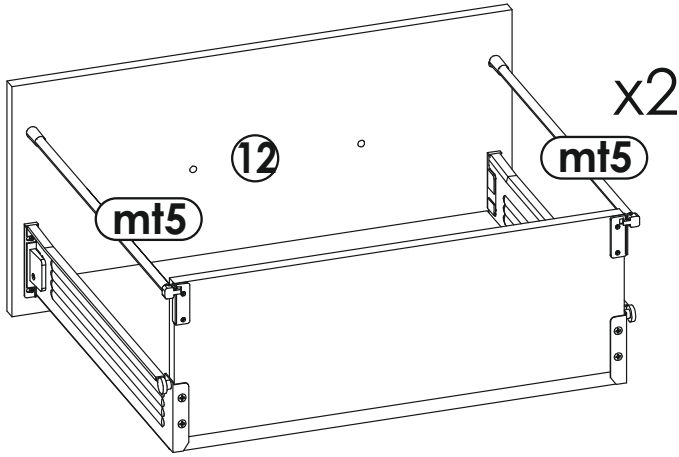
12



13



14
▼



15
▼

